

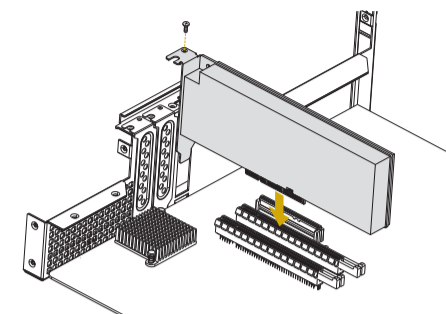


Take note of the following precautions before you install server board components or change any server board settings.

1. Unplug the power cord from the wall socket before touching any components.
2. To avoid damaging the server board's components due to static electricity, NEVER place your server board directly on the carpet or the like. Also remember to use a grounded wrist strap or touch a safety grounded object before you handle the components.
3. Hold components by the edges and do not touch the ICs.
4. Whenever you uninstall any component, place it on a grounded anti-static pad or in the bag that comes with the component.

1 Install the PCIE Card

- 1 Remove the bracket facing the slot that you intend to use. Keep the screw for later use.
- 2 Align the card connector with the slot and press firmly until the card is completely seated on the slot.
- 3 Fasten the card to the chassis with the screw.

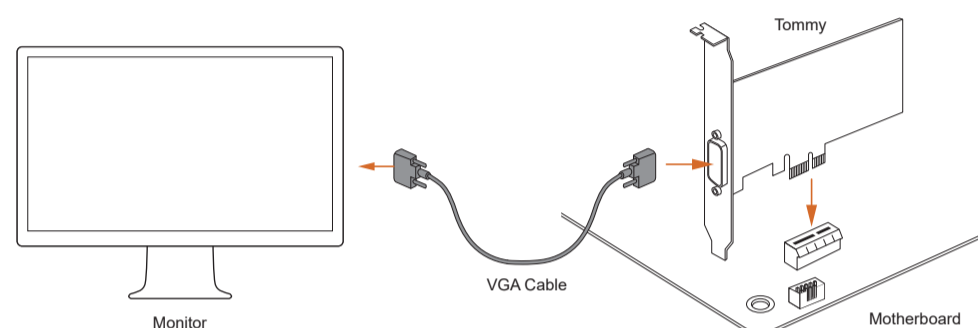


**Images shown are for illustrative purposes only and may differ depending on model.*

2 Specifications

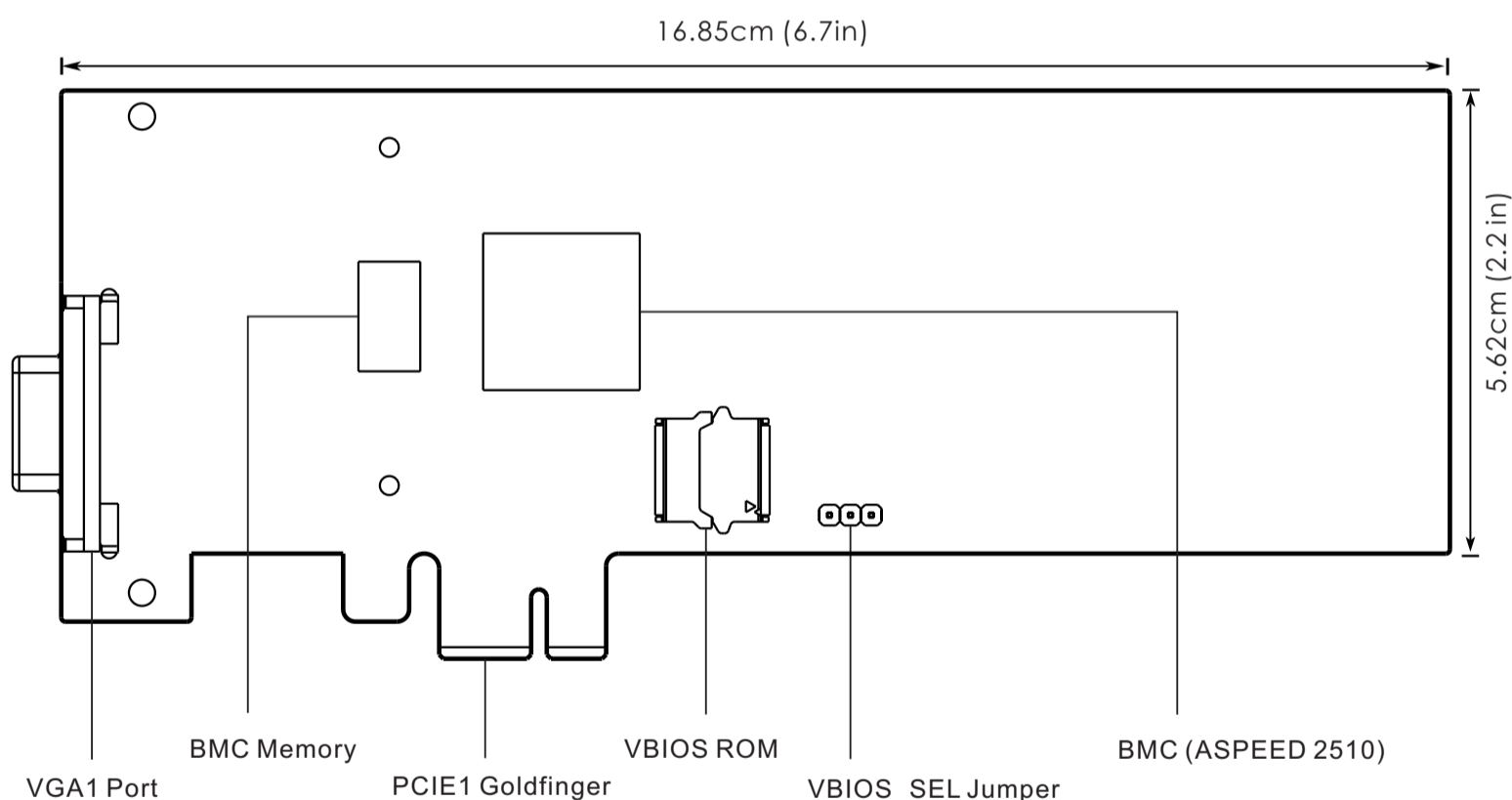
System	
Controller	ASPEED AST2510
Feature	VGA (1920x1200@60Hz 32bpp)
Memory	1 DDR4 SDRAM 4Gb
Physical	
Type	Low profile PCIe add-in-card
Size	168.45 x 68.9 mm
I/O	
Upstream Interface	PCI Express2.0 x1
External	1 DB-15 (VGA)
Power	
Power Consumption	3.72W
Input	Goldfinger (+12V)
Environment	
Temperature	Operation temperature: 10°C ~ 35°C / Non operation temperature: -40°C ~ 70°C

3 Hardware Connections

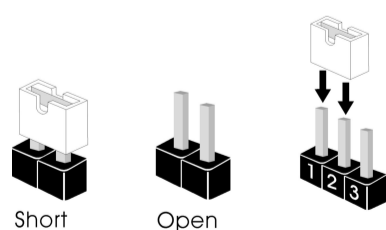


After you have installed the Tommy Graphics card to your motherboard in the system, connect one end of the VGA cable to the VGA port on the Tommy Graphics card, and the other end to the VGA port on your monitor. Make sure all are well connected and then power on the system.

4 Layout



5 Jumper Settings

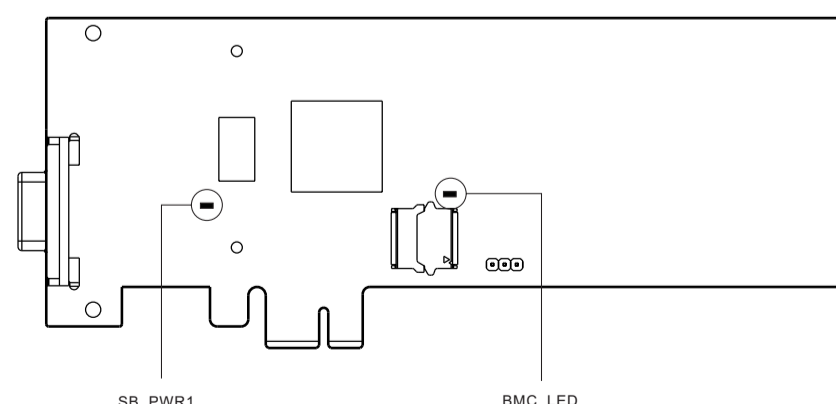


When the jumper cap is placed on the pins, the jumper is "Short". If no jumper cap is placed on the pins, the jumper is "Open".

The illustration shows a 3-pin jumper whose pin1 and pin2 are "Short" when a jumper cap is placed on these 2 pins.

Jumper	1-2 (LOW)	2-3 (HIGH)
VBIOS_SEL	No VGA BIOS ROM; VGA BIOS is merged in the system BIOS (Default)	Enable dedicated VGA BIOS ROM

6 LED Indicators



LED	Emitted Color	Status	Description
SB_PWR1	Yellow Green	Solid	STB PWR ready
BMC_LED	Yellow Green	Solid	BMC PWR detected
	Yellow Green	Flashing	BMC ready