



ProSavageDDR

P4M266 Chipset

VT8751

**Single-Chip SMA North Bridge
for Pentium 4™ CPUs with 400 MHz FSB,
External 4x AGP Bus and
Integrated ProSavage8™ AGP Graphics Core
plus Advanced ECC Memory Controller
supporting PC2100 / PC1600 DDR SDRAM
and PC133 / PC100 SDR SDRAM
for Desktop PC Systems**

Revision 1.1
July 19, 2002

a joint development of
VIA TECHNOLOGIES, INC.
and **S3 GRAPHICS, INC.**

Copyright Notice:

Copyright © 1999, 2000, 2001, 2002 VIA Technologies Incorporated. All Rights Reserved. No part of this document may be reproduced, transmitted, transcribed, stored in a retrieval system, or translated into any language, in any form or by any means, electronic, mechanical, magnetic, optical, chemical, manual or otherwise without the prior written permission of VIA Technologies Incorporated. The material in this document is for information only and is subject to change without notice. VIA Technologies Incorporated reserves the right to make changes in the product design without reservation and without notice to its users.

Copyright © 1999, 2000, 2001 S3 Graphics Incorporated. All rights reserved. If you have received this document from S3 Graphics Incorporated in electronic form, you are permitted to make the following copies for business use related to products of S3 Graphics Incorporated: one copy onto your computer for the purpose of on-line viewing, and one printed copy. With respect to all documents, whether received in hard copy or electronic form, other use, copying or storage, in whole or in part, by any means electronic, mechanical, photocopying or otherwise, is not permitted without the prior written consent of S3 Graphics Incorporated. The material in this document is for information only and is subject to change without notice. S3 Graphics Incorporated reserves the right to make changes in the product design without reservation and without notice to its users.

Trademark Notices:

VT82C585, VT82C586B, VT82C587, VT82C590, VT82C595, VT82C596B, VT82C597, VT82C598, VT8501, VT82C680, VT82C685, VT82C686A, VT82C686B, VT82C687, VT82C596A, VT82C691, VT82C692, VT82C693, VT82C693A, VT82C694, VT82C694A, VT82C694X, VT8231, VT8233, VT8363, VT8363A, VT8364, VT8365, VT8365A, VT8366, VT8372, VT8374, VT8601, VT8601A, VT8603, VT8604, VT8605, VT8606, VT8612, VT8614, VT8633, VT8751, VT8753, Mobile South, Super South, Apollo VP, Apollo VPX, Apollo VP2, Apollo VP3, Apollo MVP3, Apollo MVP4, Apollo P6, Apollo Pro, Apollo ProPlus, Apollo Pro133, and Apollo ProMedia may only be used to identify products of VIA Technologies.

The S3 Corporate Logo is a trademark of SONICblue Incorporated.

Savage™, Savage3D™, Savage4™, Savage/MX™, Savage2000™, ProSavage8™, and Twister™ are trademarks of S3 Graphics, Inc.

Intel™, Pentium™ and MMX™ are registered trademarks of Intel Corp.

Cyrix™, Cyrix6x86™ and WinChip™ are registered trademarks of VIA Technologies

Athlon™, AMD5x86™, AMD6x86™, AMD-K5™, and AMD-K6™ are registered trademarks of Advanced Micro Devices Corp.

Windows XP™, Windows 2000™, Windows ME™, Windows 98™, Windows 95™ and Plug and Play™ are registered trademarks of Microsoft Corp.

PCI™ is a registered trademark of the PCI Special Interest Group.

PS/2™ is a registered trademark of International Business Machines Corp.

VESA™ is a trademark of the Video Electronics Standards Association.

All trademarks are the properties of their respective owners.

Disclaimer Notice:

No license is granted, implied or otherwise, under any patent or patent rights of VIA Technologies or S3 Graphics. VIA Technologies and S3 Graphics make no warranties, implied or otherwise, in regard to this document and to the products described in this document. The information provided by this document is believed to be accurate and reliable to the publication date of this document. However, VIA Technologies and S3 Graphics assume no responsibility for any errors in this document. Furthermore, VIA Technologies and S3 Graphics assume no responsibility for the use or misuse of the information in this document and for any patent infringements that may arise from the use of this document. The information and product specifications within this document are subject to change at any time, without notice and without obligation to notify any person of such change.

Offices:

VIA Technologies Incorporated

Taiwan Office:

8th Floor, No. 533

Chung-Cheng Road, Hsin-Tien

Taipei, Taiwan ROC

Tel: 886-2-2218-5452

FAX: 886-2-2218-5453

Home page: <http://www.via.com.tw>

VIA Technologies Incorporated

USA Office:

940 Mission Court

Fremont, CA 94539

USA

Tel: 510-683-3300

FAX: 510-683-3301 or 510-687-4654

Home Page: <http://www.viatech.com>

S3 Graphics Incorporated

USA Office:

1045 Mission Court

Fremont, CA 94539

USA

Tel: 510-687-4900

FAX: 510-687-4901

Home Page: <http://www.s3graphics.com>

REVISION HISTORY

Document Release	Date	Revision	Initials
1.0	2/13/02	Initial external release (same as internal revision 0.95)	DH
1.01	3/19/02	Updated company address and company / product logos Added weight specifications	DH
1.1	7/19/02	Added power consumption and timing data to electrical specs	DH

VIA and S3 Graphics
 Confidential
 NDA Required

TABLE OF CONTENTS

REVISION HISTORY	I
TABLE OF CONTENTS.....	II
LIST OF FIGURES	IV
LIST OF TABLES	IV
PRODUCT FEATURES.....	1
OVERVIEW.....	4
HIGH-PERFORMANCE 3D ACCELERATOR.....	5
128-BIT 2D GRAPHICS ENGINE	5
DVD PLAYBACK AND VIDEO CONFERENCING.....	5
FLAT PANEL MONITOR / TV OUT SUPPORT	5
HIGH SCREEN RESOLUTION CRT SUPPORT	6
PINOUTS.....	7
PIN DESCRIPTIONS.....	10
REGISTERS.....	20
REGISTER OVERVIEW	20
MISCELLANEOUS I/O	24
CONFIGURATION SPACE I/O	24
DEVICE 0 REGISTER DESCRIPTIONS.....	25
Device 0 Host Bridge Header Registers.....	25
Device 0 Host Bridge Device-Specific Registers.....	27
V-Link Control.....	27
Host CPU Control.....	30
DRAM Control	32
PCI Bus Control.....	39
GART / Graphics Aperture Control	41
AGP Control	42
AGP Control (continued).....	43
V-Link Control.....	44
DRAM Interface Control	45
Power Management.....	45
ECC Error Control	45
AGTL+ I/O Control	46
Frame Buffer and High Memory Control.....	47
BIOS Scratch	47
DEVICE 1 REGISTER DESCRIPTIONS.....	48
Device 1 PCI-to-PCI Bridge Header Registers	48
Device 1 PCI-to-PCI Bridge Device-Specific Registers	50
AGP Bus Control	50
FUNCTIONAL DESCRIPTION - INTEGRATED SAVAGE4 GRAPHICS.....	53
CONFIGURATION STRAPPING.....	53
PCI CONFIGURATION AND INTEGRATED AGP	53

PCI Configuration	53
PCI Subsystem ID.....	54
Integrated AGP.....	54
DISPLAY MEMORY	55
INTERRUPT GENERATION	55
DISPLAY INTERFACES.....	56
TFT Flat Panel DVI Interface	56
CRT Interface.....	56
External TV Encoder Interface.....	57
I ² C Serial Communications Port.....	57
ELECTRICAL SPECIFICATIONS	58
ABSOLUTE MAXIMUM RATINGS	58
DC CHARACTERISTICS	58
PACKAGE WEIGHT SPECIFICATIONS.....	58
POWER CHARACTERISTICS.....	59
AC TIMING SPECIFICATIONS.....	60
MECHANICAL SPECIFICATIONS.....	62

VIA and S3 Graphics
 Confidential
 NDA Required

LIST OF FIGURES

FIGURE 1. P4M266 CHIPSET SYSTEM BLOCK DIAGRAM.....	4
FIGURE 2. VT8751 / P4M266 BALL DIAGRAM (TOP VIEW).....	7
FIGURE 3. REFERENCE COMPONENT PLACEMENT USING THE P4M266 CHIPSET	11
FIGURE 4. GRAPHICS APERTURE ADDRESS TRANSLATION.....	41
FIGURE 5. DVI INTERFACE	56
FIGURE 6. EXTERNAL TV ENCODER INTERFACE	57
FIGURE 7. MECHANICAL SPECIFICATIONS - 664-PIN HSBGA BALL GRID ARRAY PACKAGE WITH HEAT SPREADER.....	62

LIST OF TABLES

TABLE 1. SUPPORTED CRT SCREEN RESOLUTIONS.....	6
TABLE 2. VT8751 PIN LIST (NUMERICAL ORDER).....	8
TABLE 3. VT8751 PIN LIST (ALPHABETICAL ORDER).....	9
TABLE 4. VT8751 / P4M266 PIN DESCRIPTIONS.....	10
TABLE 5. VT8751 / P4M266 REGISTERS.....	20
TABLE 6. SYSTEM MEMORY MAP.....	32
TABLE 7. DEVICE 0 RX58 MA MAP TYPE ENCODING.....	33
TABLE 8. MEMORY ADDRESS MAPPING TABLE	33
TABLE 9. DIMM MODULE CONFIGURATION.....	38
TABLE 10. VGA/MDA MEMORY/IO REDIRECTION	50
TABLE 11. DEFINITION OF STRAPPING BITS AT THE RISING EDGE OF RESET#.....	53
TABLE 12. PCI SUBSYSTEM ID AND SUBSYSTEM VENDOR ID REGISTERS.....	54
TABLE 13. SUPPORTED FRAME BUFFER MEMORY CONFIGURATIONS.....	55
TABLE 14. EXTERNAL TV ENCODER OUTPUT DATA FORMATS	57
TABLE 15. ABSOLUTE MAXIMUM RATINGS.....	58
TABLE 16. DC CHARACTERISTICS.....	58
TABLE 17. PACKAGE WEIGHT SPECIFICATIONS	58
TABLE 18. POWER CHARACTERISTICS – INTERNAL AND INTERFACE DIGITAL LOGIC	59
TABLE 19. POWER CHARACTERISTICS – ANALOG AND REFERENCE VOLTAGES.....	60
TABLE 20. AC TIMING MIN / MAX CONDITIONS	60
TABLE 21. AC TIMING – CPU INTERFACE	61
TABLE 22. AC TIMING – MEMORY INTERFACE	61
TABLE 23. AC TIMING – V-LINK INTERFACE	61
TABLE 24. AC TIMING – AGP INTERFACE	61

PROSAVAGEDDR P4M266 CHIPSET

VT8751

Single-Chip SMA North Bridge
for Pentium 4 CPUs with 400 MHz Front Side Bus,
External 4x AGP Bus and
Integrated ProSavage8 AGP Graphics core
plus Advanced ECC Memory Controller
supporting PC2100 / PC1600 DDR SDRAM
and PC133 / PC100 SDR SDRAM
for Desktop PC Systems

PRODUCT FEATURES

- **Defines Integrated Solutions for Value PC Desktop Designs**
 - VIA VT8751 High Performance SMA North Bridge: Integrated Pentium 4 DDR VIA North Bridge and S3 Graphics ProSavage8 2D/3D Graphics Controller with equivalent 8x AGP performance in a single chip
 - 64-bit Advanced ECC Memory controller supporting PC2100/PC1600 DDR and PC100/PC133 SDR SDRAM
 - Combines with VIA VT8233 V-Link South Bridge for integrated LAN, Audio, ATA100 IDE, and 6 USB ports
 - 2.5V Core and AGTL+ I/O
 - 37.5 x 37.5mm HSBGA (Ball Grid Array with Heat Spreader) package with 664 balls
- **High Performance CPU Interface**
 - Support for Intel™ Pentium 4 processors with 400 MHz (100 MHz QDR) CPU Front Side Bus (FSB)
 - Built-in Phase Lock Loop circuitry for optimal skew control within and between clocking regions
 - Nine outstanding transactions (eight In-Order Queue (IOQ) plus one output latch)
 - Dynamic deferred transaction support
- **High Bandwidth 266MB/S 8-bit V-Link Host Controller**
 - Supports 66MHz V-Link Host interface with peak bandwidth of 266MB/S
 - Operates at 2X or 4X modes
 - Full duplex commands with separate command / strobe
 - Request / Data split transaction
 - Configurable outstanding transaction queue for Host to V-Link Client accesses
 - Supports Defer / Defer-Reply transactions
 - Transaction assurance for V-Link Host to Client access eliminates V-Link Host-Client Retry cycles
 - Intelligent V-Link transaction protocol to eliminate data wait-state / throttle transfer latency
 - All V-Link transactions for both Host and Client have a consistent view of transaction data depth and buffer size to avoid data overflow
 - Highly efficient V-Link arbitration with minimum overhead
 - All V-Link transactions have predictable cycle length with known command / data duration

- **Advanced High-Performance DDR / SDR DRAM Controller**

- DRAM interface pseudo-synchronous with host CPU (100 MHz) for most flexible configuration
- DRAM interface may be faster than CPU by 33 MHz to allow use of 133 MHz memory with 100 MHz FSB clock
- Concurrent CPU, AGP, and V-Link access
- Supports SDR and DDR SDRAM memory types
- Clock Enable (CKE) control for SDRAM power reduction in high speed systems
- Mixed 16M / 32M / 64M x 8/16/32 DRAMs
- Supports 8 banks up to 4 GB DRAMs (512Mb x8/x16 DRAM technology)
- Flexible row and column addresses. 64-bit data width only
- LVTTTL 3.3V DRAM interface with 5V-tolerant inputs for SDR SDRAM and 2.5V SSTL-2 DRAM interface for DDR SDRAM
- Programmable I/O drive capability for MA, MD, and command signals
- Dual copies of MA and control signals for improved drive
- Optional ECC (single-bit error correction and multi-bit error detection) or EC (error checking only) for DRAM integrity
- Two-bank interleaving for 16Mbit SDRAM support
- Two-bank and four bank interleaving for 64Mb, 128Mb, 256Mb, 512Mb SDRAM support
- Supports maximum 16-bank interleave (i.e., 16 pages open simultaneously); banks are allocated based on LRU
- Seamless DRAM command scheduling for maximum DRAM bus utilization
 - (e.g., precharge other banks while accessing the current bank)
- Four cache lines (16 quadwords) of CPU to DRAM write buffers
- Four cache lines of CPU to DRAM read prefetch buffers
- Read around write capability for non-stalled CPU read
- Speculative DRAM read before snoop result
- Burst read and write operation
- Burst length 4 and 8 for SDR and DDR
- Supports DDR SDRAM CL 2/2.5/3 and 1T per command
- 1T and 2T command rate for SDR and DDR which can be specified bank by bank
- Decoupled and burst DRAM refresh with staggered RAS timing (CAS before RAS or self refresh)

- **Full Featured Accelerated Graphics Port (AGP) Controller**

- Supports 266 MHz 4x and 133 MHz 2x transfer modes for AD and SBA signaling
- AGP specification v2.0 compliant
- Pseudo-synchronous with the host CPU bus with optimal skew control
- Supports SideBand Addressing (SBA) mode (non-multiplexed address / data)
- AGP pipelined split-transaction long-burst transfers up to 1GB/sec
- Eight level read request queue
- Four level posted-write request queue
- Thirty-two level (quadwords) read data FIFO (256 bytes)
- Sixteen level (quadwords) write data FIFO (128 bytes)
- Intelligent request reordering for maximum AGP bus utilization
- Supports Flush/Fence commands
- Graphics Address Relocation Table (GART)
 - One level TLB structure
 - Sixteen entry fully associative page table
 - LRU replacement scheme
 - Independent GART lookup control for host / AGP / PCI master accesses
- Windows 95 OSR-2 VXD and integrated Windows 98 / 2000 miniport driver support

- **High Resolution CRT RGB Interface**

- 250 MHz RAMDAC on chip with Gamma Correction
- Horizontal / Vertical Sync outputs compliant with Monitor Power Management protocols
- I²C Serial Bus for DDC Monitor Communications
- Simultaneous display of CRT with TV or DVI Flat Panel Monitor

- **Integrated ProSavage8 2D / 3D Graphics Controller and Video Accelerator**
 - Optimized Shared Memory Architecture (SMA)
 - Equivalent 8x AGP internal performance
 - 8 / 16 / 32 MB frame buffer using system memory
 - Floating point triangle setup engine
 - Single cycle 128-bit 3D architecture
 - 8M triangles/second setup engine
 - 140M pixels/second trilinear fill rate
 - Microsoft DirectX texture compression
 - Next generation, 128-bit 2D graphics engine
 - High quality DVD video playback
 - Flat panel monitor support
 - 2D/3D resolutions up to 1920x1440
- **3D Rendering Features**
 - Single-pass multiple textures
 - Anisotropic filtering
 - 8-bit stencil buffer
 - 32-bit true color rendering
 - Specular lighting and diffuse shading
 - Alpha blending modes
 - Massive 2K x 2K textures
 - MPEG-2 video textures
 - Vertex and table fog
 - 16 or 24-bit Z-buffering
 - Reflection mapping, texture morphing, shadows, procedural textures and atmospheric effects
- **2D Hardware Acceleration Features**
 - ROP3 Ternary Raster Operation BitBLTs
 - 8, 16, and 32 bpp mode acceleration
- **Motion Video Architecture**
 - High quality up/down scaler
 - Planar to packed format conversion
 - Motion compensation for full speed DVD playback
 - Hardware subpicture blending and highlights
 - Multiple video windows for video conferencing
 - Contrast, hue, saturation, brightness and gamma controls
- **Flat Panel Monitor / TV Output Support**
 - Digital Visual Interface (DVI) 1.0 compliant
 - Optional configuration of DVI outputs as digital output port for external NTSC/PAL TV encoder
- **Full Software Support**
 - Drivers for major operating systems and APIs: Windows® 9x/ME, Windows NT 4.0, Windows 2000, Windows XP, Direct3D™, DirectDraw™ and DirectShow™, and OpenGL™ ICD for Windows 9x/ME, NT, 2000, and XP
 - North Bridge/Chipset and Video BIOS support
- **Advanced System Power Management Support**
 - Power down of SDRAM (CKE)
 - VTT suspend power plane preserves memory data
 - Suspend-to-DRAM and self-refresh power down
 - Low-leakage I/O pads
 - ACPI 1.0B and PCI Bus Power Management 1.1 compliant

OVERVIEW

The ProSavageDDR P4M266 (VT8751 North Bridge plus VT8233 South Bridge) is a high performance, cost-effective and energy efficient SMA chip set for the implementation of desktop personal computer systems with 400 MHz (100 MHz QDR) CPU host bus (“Front Side Bus”) based on 64-bit Intel Pentium-4 super-scalar processors. This data sheet describes the VT8751 North Bridge portion of the P4M266 chipset (except for detailed register descriptions for the integrated graphics controller which are described in a separate document published by S3 Graphics). The VT8233 South Bridge is described in a separate data sheet.

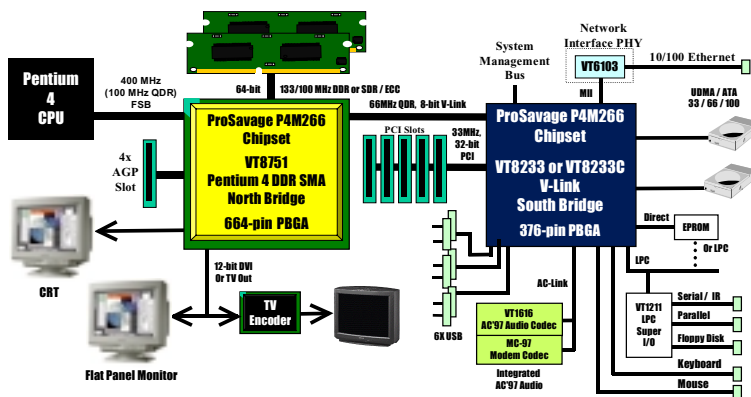


Figure 1. P4M266 Chipset System Block Diagram

The ProSavageDDR P4M266 chipset consists of the VT8751 DDR SMA North Bridge (664 pin BGA) and the VT8233 V-Link South Bridge (376 pin BGA). The VT8751 (which may also be referred to as a “Host System Controller”) integrates VIA’s VT8653 Apollo Pro266T system controller with CPU bus extensions to support Pentium 4, S3 Graphics’ 128-bit ProSavage8 2D/3D graphics accelerator and S3 Graphics’ flat panel monitor and TV out interfaces into a single 664 BGA package. The VT8751 provides superior performance between the CPU, DRAM, V-Link bus and internal or external AGP 4x graphics controller bus with pipelined, burst, and concurrent operation. The VT8233 South Bridge (which may also be referred to as a “V-Link Client Controller”) is a highly integrated PCI / LPC controller. Its internal bus structure is based on 66 MHz PCI bus that provides 2x bandwidth compare to previous generation PCI bridge chips. The VT8233 also provides a 266MB/sec bandwidth Host/Client V-Link interface with V-Link-PCI and V-Link-LPC controllers. It supports five PCI slots of arbitration and decoding for all integrated functions and LPC bus.

The VT8751 supports eight banks of SDR / DDR SDRAMs up to 4 GB. The DRAM controller supports PC2100 / PC1600 Double-Data-Rated (DDR) SDRAM but can also support standard PC133 / PC100 Synchronous DRAM (SDR SDRAM). The DDR / SDR DRAM interface allows zero wait state bursting between the DRAM and the data buffers at 100 / 133 MHz. The different banks of DRAM can be composed of an arbitrary mixture of 1M / 2M / 4M / 8M / 16M / 32M / 64M x 8/16/32 DRAMs. The DRAM controller also supports optional ECC (single-bit error correction and multi-bit detection) or EC (error checking) capability. The DRAM controller can run either synchronous or pseudo-synchronous with the host CPU bus.

The VT8751 host system controller supports a high speed 8-bit 66 MHz Quad Data Transfer interconnect (V-Link) to the VT8233 South Bridge. The chip also contains a built-in bus-to-bus bridge to allow simultaneous concurrent operations on each bus. Five levels (doublewords) of post write buffers are included to allow for concurrent CPU and V-Link operation. For V-Link Host operation, forty-eight levels (doublewords) of post write buffers and sixteen levels (doublewords) of prefetch buffers are included for concurrent V-Link bus and DRAM/cache accesses. When combined the V-Link Host / Client controllers, it realizes a complete PCI sub-system and supports enhanced PCI bus commands such as Memory-Read-Line, Memory-Read-Multiple and Memory-Write-Invalid commands to minimize snoop overhead. In addition, advanced features are supported such as snoop ahead, snoop filtering, L1 write-back forward to PCI master, and L1 write-back merged with PCI post write buffers to minimize PCI master read latency and DRAM utilization. Delay transaction and read caching mechanisms are also implemented for further improvement of overall system performance.

P4M266 also integrates S3 Graphics' 128-bit ProSavage8™ graphics accelerator into a single chip. P4M266 brings mainstream graphics performance to the Value PC with leading-edge 2D, 3D and DVD video acceleration into a cost effective package. Based on its capabilities, P4M266 is an ideal solution for the consumer, corporate mobile users and entry level professionals.

The industry's first integrated Pentium 4 AGP solution to support DDR memory, P4M266 combines AGP 8x performance with Microsoft DirectX texture compression and massive 2Kx2K textures to deliver unprecedented 3D performance and image quality for the Value PC mobile market.

The 376-pin Ball Grid Array VT8233 Client V-Link PCI / LPC controller supports four levels (doublewords) of line buffers, type F DMA transfers and delay transaction to allow efficient PCI bus utilization and (PCI-2.1 compliant). The VT8233 integrated PCI controller and PCI arbitration for up to five PCI slots. One of the PCI REQ / GNT pair can be configured as high-priority to better support a low latency PCI bus master device. The VT8233 integrated networking MAC controller with standard MII interface to an external PHY for 10/100Mb base-T Ethernet or 1/10Mb PNA home networking.

The VT8233 also includes an integrated keyboard controller with PS2 mouse support, integrated DS12885 style real time clock with extended 256 byte CMOS RAM, integrated master mode enhanced IDE controller with full scatter / gather capability and extension to UltraDMA-33/66/100 for 33/66/100 MB/sec transfer rate, integrated USB interface with root hubs and six functional ports with built-in physical layer transceivers, Distributed DMA support, and OnNow / ACPI compliant advanced configuration and power management interface.

For sophisticated power management, P4M266 provides independent clock stop control for the CPU / SDRAM and AGP bus plus Dynamic CKE control for powering down of the SDRAM. A separate suspend-well plane is implemented for the SDRAM control signals for Suspend-to-DRAM operation. Coupled with the VT8233 south bridge chip, a complete power conscious PC main board can be implemented with no external TTLs.

High-Performance 3D Accelerator

Featuring a new super-pipelined 128-bit engine, P4M266 utilizes a single cycle architecture that provides high performance along with superior image quality. Several new features enhance the 3D architecture, including single-pass multitexturing, anisotropic filtering, and an 8-bit stencil buffer. In addition with DDR266 (PC2100) system memory, the ProSavage8 graphics controller will achieve up to 8x AGP equivalent performance (2.1 MB/sec 3D data transfers). P4M266 also offers the industry's only simultaneous usage of single-pass multitexturing and single-cycle trilinear filtering – enabling stunning image quality without performance loss. P4M266 further enhances image quality with true 32-bit color rendering throughout the 3D pipeline to produce more vivid and realistic images. P4M266's advanced triangle setup engine provides industry leading 3D performance for a realistic user experience in games and other interactive 3D applications. The 3D engine is optimized for AGP texturing from system memory.

128-bit 2D Graphics Engine

P4M266's advanced 128-bit 2D graphics engine delivers high-speed 2D acceleration for productivity applications. Several enhancements have been made to the 2D architecture to optimize SMA performance and to provide acceleration in all color depths.

DVD Playback and Video Conferencing

P4M266 provides the ideal architecture for high quality MPEG-2 based DVD applications and video conferencing. For DVD playback, P4M266's video accelerator offloads the CPU by performing the planar to packed format conversion and motion compensation tasks, while its enhanced scaling algorithm delivers incredible full-screen video playback. For video conferencing, P4M266's multiple video windows enable a cost effective solution.

Flat Panel Monitor / TV Out Support

The P4M266 can drive an external flat panel monitor via a 12-bit interface to a TMDS encoder. This interface is Digital Visual Interface (DVI) 1.0 compliant. All resolutions are supported up to 1280x1024. This interface can alternately be configured to drive an external TV encoder chip for driving a standard television set.

High Screen Resolution CRT Support

Resolutions Supported	System Memory Frame Buffer Size	
	8 MB	16/32 MB
640x480x8/16/32	✓	✓
800x600x8/16/32	✓	✓
1024x768x8/16/32	✓	✓
1280x1024x8	✓	✓
1280x1024x16	✓	✓
1280x1024x32	✓	✓
1600x1200x8	✓	✓
1600x1200x16	✓	✓
1600x1200x32	✓	✓
1920x1440x8	✓	✓
1920x1440x16	✓	✓

Table 1. Supported CRT Screen Resolutions

VIA and S3 Graphics
 Confidential
 NDA Required

PINOUTS

Figure 2. VT8751 / P4M266 Ball Diagram (Top View)

Key	1	2	3	4	5	6	7	8	9	10	11	12	13	14	15	16	17	18	19	20	21	22	23	24	25	26	27	28	29	
A	NC	GCMP N0	GND QQ	VCC QQ	AG	R SET	XIN XDCK	V SYNC	INT A#	FPDET TV11	FPD11 TVBL#	FPD7 TVD7	FPD2 TVD2	HD61	HD58	HD56	HD62	HD48	HD47	HD44	HD35	HD40	HD32	HD36	HD16	HD18	HDS 1	HD22	HD27	
B	G GNT#	GND	GCMP N1	GND	AB	AR	GND PLL1	H SYNC	BIST IN#	FPDE TVCK1	FPD10 TVD10	FPD8 TVD8	FPD1 TVD1	HD63	HD55	GND	HDS 3#	HD49	HD46	HD45	HD43	HDBI 2#	HD39	HD33	HD19	HD29	HDS 1#	GND	HD23	
C	G REQ#	SBA 1	SBA 0	GND	GND RGB	VCC DAC	VCC PLL1	DCLK 1	SP CLK1	FPVS TVVS	GND	FPD6 TVD6	FPD0 TVD0	GND	HD59	GND	HDS 3	HD51	HD50	HD41	GND	GND	HD38	HD28	HDBI 1#	HD26	HD25	HD20	HD31	
D	SBS#	SBS	SBA 4	SBA 3	GND	GND DAC	GND PLL2	DCLK 0	SP DAT1	FPHS TVHS	GP OUT	FPD5 TVD5	FPD3 TVD3	HD 60	GND	HDBI 3#	HD54	GND	GND	HDS 2	GND	HD37	HD30	GND	HD21	GND	HD17	HD24	HD13	
E	SBA 5	GND	SBA 6	SBA 2	ST0	VCC RGB	VCC PLL2	SP DAT2	SP CLK2	GPO0 XECK	FPCLK TVCK	FPD9 TVD9	FPD4 TVD4	CPU RST#	HD57	VTT	HD53	HD52	GND TT	HDS 2#	HD42	HD34	VTT	GND	GND	GND	HD12	HD4	HD7	
F	GD31	NC	SBA 7	GND	ST1	GND	GND	GND	VCC 25	VCC 25	VCC 25	GND	GND	VCC 25	VCC 25	HD VREF	VTT	VTT	HD VREF	VCC 25	VCC 25	HD VREF	VTT	HD VREF	HR COMP	HD3	HD9	HD11	HD1	
G	GD26	GD27	GD29	GD30	G PIPE#	AGP VREF	F7	8	9	10	11	12	13	14	15	16	17	18	19	20	21	22	G23	HCMP VREF	HD14	GND	HDBI 0#	HDS 0	HDS 0#	
H	GD24	GND	GD25	GD28	G RBF#	VCC 25	H	CRT Pins		FPM Pins														H	VCC 25	HD5	HD15	GND	GND	HD10
J	GD23	GDS 1#	GDS 1	GND	ST2	VCC 25	J											J	CPU Pins		J	VCC 25	HITM#	HD6	HD2	HD0	HD8			
K	GD21	GD19	GD20	GD22	GBE 3#	VCC AGP	K	VCC AGP	GND	VCC FP	VCC FP	VCC FP	VTT	VTT	VTT	VTT	VTT	VTT	VTT	VTT	VTT	VTT	VTT	K	VTT	D BSY#	GND	RS2#	RS0#	RS1#
L	GD18	GND	GD17	G FRM#	G WBF#	VCC AGP	L	AGP Pins	VCC AGP	VCC AGP	L11	12	13	14	15	16	17	18	L19	VTT	L	GTL VREF	H LOCK#	B REQ#	HIT#	GND	B PRI#			
M	GI RDY#	GBE 2#	GD16	GND	NC	VCC AGP	M	VCC AGP	VCC AGP	M	GND	GND	GND	GND	GND	GND	GND	GND	M	VTT	M	GND HCK	H CLK#	HT RDY#	DE FER#	D RDY#	BNR#			
N	GD14	GD15	GBE 1#	G DSEL#	GD13	VCC 25	N	VCC AGP	VCC AGP	N	GND	GND	GND	GND	GND	GND	GND	GND	N	VTT	N	VCC HCK	H CLK	GND	HREQ 2#	HA7	HA3			
P	GD10	GND	GD11	GD12	GT RDY#	VCC 25	P	VCC AGP	VCC AGP	P	GND	GND	GND	GND	GND	GND	GND	GND	P	VTT	P	GND TT	ADS#	HREQ 4#	HREQ 1#	GND	HREQ 3#			
R	GBE 0#	GD9	GD8	GND	G STOP#	AGP VREF	R	VCC AGP	VCC AGP	R	GND	GND	GND	GND	GND	GND	GND	GND	R	VTT	R	HA VREF	HREQ 0#	HA5	HA4	HA11	HA6			
T	GD6	GD7	GD4	GDS 0	GDS 0#	VCC AGP	T	VCC AGP	VCC AGP	T	GND	GND	GND	GND	GND	GND	GND	GND	T	VTT	T	VTT	HAS 0#	GND	HA9	HA15	HA8			
U	GD2	GND	GD5	G PAR	G CLK	VCC AGP	U	VCC VL	VCC VL	U	GND	GND	GND	GND	GND	GND	GND	GND	U	VTT	U	VTT	GND	HA16	GND	HA12	HA13			
V	GD3	GD0	GD1	GND	VBE#	VCC AGP	V	VCC VL	VCC VL	V	GND	GND	GND	GND	GND	GND	GND	GND	V	VCC MEM	V	HA VREF	HA10	HA14	HA19	HA18	HA17			
W	VAD3 strap	VAD5 strap	VAD1 strap	GND	VAD0 strap	VCC 25	W	VCC VL	VCC MEM	W11	12	13	14	15	16	17	18	W19	VCC MEM	W	VCC 25	TEST IN#	GND	HA25	HA22	HA24				
Y	UP CMD	GND	UP STB#	GND	VL VREF	VCC 25	Y	Vlink Pins	VCC VL	VCC MEM	VCC MEM	VCC MEM	VCC MEM	VCC MEM	VCC MEM	VCC MEM	VCC MEM	VCC MEM	Y	VCC 25	VTT	HA30	HAS 1#	GND	HA29					
AA	DN STB	DN CMD	DN STB#	UP STB	VAD4 strap	VCC 25	AA	VCC MEM	VCC MEM	VCC MEM	VCC MEM	VCC MEM	VCC MEM	VCC MEM	VCC MEM	VCC MEM	VCC MEM	VCC MEM	AA	VTT	AA	VTT	HA23	HA26	HA21	HA20	HA28			
AB	VAD6 strap	VAD 7	VAD2 strap	VL COMP	VSUS 25	GND	AB	Mem Pins										AB	VTT	GND	GND	HA33	HA31	HA27						
AC	PWR OK	GND	RE SET#	SUS ST#	MD59	GND	AC7	8	9	10	11	12	13	14	15	16	17	18	19	20	21	22	AC23	GND MCK	MCLK	GND	HA32	GND	MD0	
AD	MD58	MD62	DQS 7#	DQM 7	MD63	GND	MEM VREF	NC	VCC 25	VCC 25	VCC 25	MEM VREF	VCC 25	VCC 25	GND MDLL	SCAS B#	SWE B#	MEM VREF	SRAS B#	VCC 25	VCC 25	VCC 25	MEM VREF	VCC MCK	MCLK F	MD2	MD1	MD5	MD4	
AE	MD57	MD61	MD56	GND	CS6#	CS7#	MD41	NC	CS0#	SCAS A#	MAB 10	CS4#	MECC 7	SWE A#	GND MDLL	MAA 1	GND	GND	GND	MAA 6	MAA 5	MAA 7	MAB 8	MAB 7	MAA 13	MAB 13	MD6	DQM 0#	DQS 0#	
AF	MD51	GND	MD60	MD54	MD43	MD45	GND	CS1#	MD38	GND	CS5#	MAA 0	GND	MECC 1	MECC 0	GND	MAA 4	MD30	GND	MD25	MAB 5	GND	MD18	MD17	GND	MAA 9	MAB 9	GND	MD7	
AG	MD55	MD50	MD52	MD49	MD42	MD40	CS3#	MD39	MD34	MD33	MD36	MAA 12	MECC 3	DQS 8#	MAB 1	SRAS A#	MAA 3	MD27	MAB 6	MD29	MAB 14	MAA 8	MD22	MD21	MD10	MD15	MD9	MD8	MD3	
AH	DQS 6#	GND	MD48	GND	DQM 5	CS2#	GND	MAB 11	DQS 4#	GND	MD32	MAA 10	GND	MECC 2	MECC 4	GND	MAB 3	MD31	GND	DQS 3#	MD24	GND	MD19	DQS 2#	GND	MD11	DQM 1	GND	MD12	
AJ	DQM 6	MD53	MD47	MD46	DQS 5#	MD44	MAA 11	MD35	DQM 4	MD37	MAB 12	MAB 0	MECC 6	DQM 8	MECC 5	MAB 2	MAA 2	MAB 4	MD26	DQM 3	MD28	MAA 14	MD23	DQM 2	MD16	MD20	MD14	DQS 1#	MD13	

Table 2. VT8751 Pin List (Numerical Order)

Pin #	Pin Name	Pin #	Pin Name	Pin #	Pin Name	Pin #	Pin Name	Pin #	Pin Name	Pin #	Pin Name	Pin #	Pin Name
A01	- NC	C25	IO HDBI1#	G28	IO HDS0	R26	IO HA05	AD03	IO DQS7# / CKE7	AG10	IO MD33		
A02	AI GCOMPNO	C26	IO HD26	G29	IO HDS0#	R27	IO HA04	AD04	O DQM7 / CKE7	AG11	IO MD36		
A03	P GNDQO	C27	IO HD25	H01	IO GD24	R28	IO HA11	AD05	IO MD63	AG12	O MAA12		
A04	P VCCQO	C28	IO HD20	H03	IO GD25	R29	IO HA06	AD07	P MEMVREF	AG13	IO MECC3 / CKE3		
A05	AO AG	C29	IO HD31	H04	IO GD28	T01	IO GD6	AD08	- NC	AG14	IO DQS8#		
A06	AI RSET	D01	I SBS#	H05	I GRBF#	T02	IO GD7	AD12	P MEMVREF	AG15	O MAB01		
A07	I XIN / XDCLK	D02	I SBS	H25	IO HD05	T03	IO GD4	AD15	P GNDMDLL	AG16	O SRASA#		
A08	O VSYNC	D03	I SBA4	H26	IO HD15	T04	IO GDS0	AD16	O SCASB#	AG17	O MAA03		
A09	O INTA#	D04	I SBA3	H29	IO HD10	T05	IO GDS0#	AD17	O SWEB#	AG18	IO MD27		
A10	IO FPDET/TVD11	D06	P GNDDAC	J01	IO GD23	T25	IO HAS0#	AD18	P MEMVREF	AG19	O MAB06		
A11	O FPD11/TVBL#	D07	P GNDPLL2	J02	IO GDS1#	T27	IO HA09	AD19	O SRASB#	AG20	IO MD29		
A12	O FPD07/TVD7/str	D08	O DCLKO	J03	IO GDS1	T28	IO HA15	AD23	P MEMVREF	AG21	O MAB14		
A13	O FPD02/TVD2/str	D09	IO SPDAT1	J05	O ST2	T29	IO HA08	AD24	P VCCMCK	AG22	O MAA08		
A14	IO HD61	D10	O FPHS / TVHS	J25	I HITM#	U01	IO GD2	AD25	I MCLKF	AG23	IO MD22		
A15	IO HD58	D11	O GPOUT	J26	IO HD06	U03	IO GD5	AD26	IO MD02	AG24	IO MD21		
A16	IO HD56	D12	O FPD05/TVD5/str	J27	IO HD02	U04	IO GPAR	AD27	IO MD01	AG25	IO MD10		
A17	IO HD62	D13	O FPD03/TVD3/str	J28	IO HD00	U05	I GCLK	AD28	IO MD05	AG26	IO MD15		
A18	IO HD48	D14	IO HD60	J29	IO HD08	U26	IO HA16	AD29	IO MD04	AG27	IO MD09		
A19	IO HD47	D16	IO HDBI3#	K01	IO GD21	U28	IO HA12	AE01	IO MD57	AG28	IO MD08		
A20	IO HD44	D17	IO HD54	K02	IO GD19	U29	IO HA13	AE02	IO MD61	AG29	IO MD03		
A21	IO HD35	D20	IO HD52	K03	IO GD20	V01	IO GD3	AE03	IO MD56	AH01	IO DQS6# / CKE6		
A22	IO HD40	D22	IO HD37	K04	IO GD22	V02	IO GD0	AE05	O CS6#	AH03	IO MD48		
A23	IO HD32	D23	IO HD30	K05	IO GBE3#	V03	IO GD1	AE06	O CS7#	AH05	O DQM5 / CKE5		
A24	IO HD36	D25	IO HD21	K25	IO DBSY#	V05	IO VBE#	AE07	IO MD41	AH06	O CS2#		
A25	IO HD16	D27	IO HD17	K27	IO RS2#	V24	P HAVREF	AE08	- NC	AH08	O MAB11		
A26	IO HD18	D28	IO HD24	K28	IO RS0#	V25	IO HA10	AE09	O CS0#	AH09	IO DQS4# / CKE4		
A27	IO HDS1	D29	IO HD13	K29	IO RS1#	V26	IO HA14	AE10	O SCASA#	AH11	IO MD32		
A28	IO HD22	E01	I SBA5	L01	IO GD18	V27	IO HA19	AE11	O MAB10	AH12	O MAA10		
A29	IO HD27	E03	I SBA6	L03	IO GD17	V28	IO HA18	AE12	O CS4#	AH14	IO MECC2 / CKE2		
B01	O GGNT#	E04	I SBA2	L04	IO GFRM#	V29	IO HA17	AE13	IO MECC7 / CKE7	AH15	IO MECC4 / CKE4		
B03	AI GCOMPN1	E05	O ST0	L05	I GWBF#	W01	IO VAD3 / strap	AE14	O SWEA#	AH17	O MAB03		
B05	AO AB	E06	P VCCRGB	L24	P GTLVREF	W02	IO VAD5 / strap	AE15	P VCCMDLL	AH18	IO MD31		
B06	AO AR	E07	P VCCPLL2	L25	O HLOCK#	W03	IO VAD1 / strap	AE16	O MAA01	AH20	IO DQS3# / CKE3		
B07	P GNDPLL1	E08	IO SPDAT2	L26	O BREQ#	W05	IO VAD0 / strap	AE20	O MAA06	AH21	IO MD24		
B08	O HSYNC	E09	IO SPCLK2	L27	IO HIT#	W25	I TESTIN#	AE21	O MAA05	AH23	IO MD19		
B09	I BISTIN#	E10	O GPO0	L29	IO BPR1#	W27	IO HA25	AE22	O MAA07	AH24	IO DQS2# / CKE2		
B10	OI FPDE/TVCKI	E11	O FPLCK/TVCKO	M01	IO GIRDY#	W28	IO HA22	AE23	O MAB08	AH26	IO MD11		
B11	O FPD10/TVD10	E12	O FPD09/TVD9/str	M02	IO GBE2#	W29	IO HA24	AE24	O MAB07	AH27	O DQM1 / CKE1		
B12	O FPD08/TVD8	E13	O FPD04/TVD4/str	M03	IO GD16	Y01	I UPCMD	AE25	O MAA13	AH29	IO MD12		
B13	O FPD01/TVD1/str	E14	O CPURST#	M05	- NC	Y03	I UPSTB#	AE26	O MAB13	AJ01	O DQM6 / CKE6		
B14	IO HD63	E15	IO HD57	M24	P GNDHCK	Y05	P VLVREF	AE27	IO MD06	AJ02	IO MD53		
B15	IO HD55	E17	IO HD53	M25	I HCLK#	Y26	IO HA30	AE28	O DQM0 / CKE0	AJ03	IO MD47		
B17	IO HDS3#	E18	IO HD52	M26	IO HTRDY#	Y27	IO HAS1#	AE29	IO DQS0# / CKE0	AJ04	IO MD46		
B18	IO HD49	E19	P GNDTT	M27	IO DEFER#	Y29	IO HA29	AF01	IO MD51	AJ05	IO DQS5# / CKE5		
B19	IO HD46	E20	IO HDS2#	M28	IO DRDY#	AA01	O DNSTB	AF03	IO MD60	AJ06	IO MD44		
B20	IO HD45	E21	IO HD42	M29	IO BNR#	AA02	O DNCMD	AF04	IO MD54	AJ07	O MAA11		
B21	IO HD43	E22	IO HD34	N01	IO GD14	AA03	O DNSTB#	AF05	IO MD43	AJ08	IO MD35		
B22	IO HDBI2#	E27	IO HD12	N02	IO GD15	AA04	I UPSTB	AF06	IO MD45	AJ09	O DQM4 / CKE4		
B23	IO HD39	E28	IO HD04	N03	IO GBE1#	AA05	IO VAD4 / strap	AF08	O CS1#	AJ10	IO MD37		
B24	IO HD33	E29	IO HD07	N04	IO GDEVSEL#	AA25	IO HA23	AF09	IO MD38	AJ11	O MAB12		
B25	IO HD19	F01	IO GD31	N05	IO GD13	AA26	IO HA26	AF11	O CS5#	AJ12	O MAB00		
B26	IO HD29	F02	- NC	N24	P VCCCHCK	AA27	IO HA21	AF12	O MAA00	AJ13	IO MECC6 / CKE6		
B27	IO HDS1#	F03	I SBA7	N25	I HCLK	AA28	IO HA20	AF14	IO MECC1 / CKE1	AJ14	O DQM8		
B29	IO HD23	F05	O ST1	N27	IO HREQ2#	AA29	IO HA28	AF15	IO MECC0 / CKE0	AJ15	IO MECC5 / CKE5		
C01	I GREQ#	F16	P HDVREF	N28	IO HA07	AB01	IO VAD6 / strap	AF17	O MAA04	AJ16	O MAB02		
C02	I SBA1	F19	P HDVREF	N29	IO HA03	AB02	IO VAD7	AF18	IO MD30	AJ17	O MAA02		
C03	I SBA0	F22	P HDVREF	P01	IO GD10	AB03	IO VAD2 / strap	AF20	IO MD25	AJ18	O MAB04		
C05	P GNDRGB	F24	P HDVREF	P03	IO GD11	AB04	AI VLCOMP	AF21	O MAB05	AJ19	IO MD26		
C06	P VCCDAC	F25	AI HRCOMP	P04	IO GD12	AB05	P VSUS25	AF23	IO MD18	AJ20	O DQM3 / CKE3		
C07	P VCCPLL1	F26	IO HD03	P05	IO GTRDY#	AB27	IO HA33	AF24	IO MD17	AJ21	IO MD28		
C08	I DCLKI	F27	IO HD09	P24	P GNDTT	AB28	IO HA31	AF26	O MAA09	AJ22	O MAA14		
C09	IO SPCLK1	F28	IO HD11	P25	IO ADS#	AB29	IO HA27	AF27	O MAB09	AJ23	IO MD23		
C10	O FPVS / TVVS	F29	IO HD01	P26	IO HREQ4#	AC01	I PWROK	AF29	IO MD07	AJ24	O DQM2 / CKE2		
C12	O FPD06/TVD6/str	G01	IO GD26	P27	IO HREQ1#	AC03	I RESET#	AG01	IO MD55	AJ25	IO MD16		
C13	O FPD00/TVD0/str	G02	IO GD27	P29	IO HREQ3#	AC04	I SUSST#	AG02	IO MD50	AJ26	IO MD20		
C15	IO HD59	G03	IO GD29	R01	IO GBE0#	AC05	IO MD59	AG03	IO MD52	AJ27	IO MD14		
C17	IO HDS3	G04	IO GD30	R02	IO GD9	AC24	P GNDMCK	AG04	IO MD49	AJ28	IO DQS1# / CKE1		
C18	IO HD51	G05	I GPIPE#	R03	IO GD8	AC25	O MCLK	AG05	IO MD42	AJ29	IO MD13		
C19	IO HD50	G06	P AGPVREF	R05	IO GSTOP#	AC27	IO HA32	AG06	IO MD40				
C20	IO HD41	G24	P HCMPVREF	R06	P AGPVREF	AC29	IO MD00	AG07	O CS3#				
C23	IO HD38	G25	IO HD14	R24	P HAVREF	AD01	IO MD58	AG08	IO MD39				
C24	IO HD28	G27	IO HDBI0#	R25	IO HREQ0#	AD02	IO MD62	AG09	IO MD34				

VCC25 Pins (26 pins): F9-11,14-15,20-21, H6,24, J6,24, N6, P6, W6,24, Y6,24, AA6, AD9-11,13-14,20-22

VCCMEM Pins (26 pins): V20, W10,20, Y10-20, AA9-20

VCCAGP Pins (19 pins): K6,9, L6,9-10, M6,9-10, N9-10, P9-10, R9-10, T6,9-10, U6, V6

VCCVL (4 pins): U9-10, V9-10, W9, Y9

VCCFP (3 pins): K11-13

VTT Pins (25 pins): E16, E23, F17-18,23, K14-20,24, L20, M20, N20, P20, R20,T20,24, U20,24, Y25, AA24, AB24

GND Pins (133 pins): B2,4,16,28, C4,11,14,16,21-22, D5,15,18-19,21,24,26, E2,24-26, F4,6-8,12-13, G26, H2,27-28, J4, K10,26, L2,28, M4,12-18, N12-18,26, P2,12-18,28, R4,12-18, T12-18,26, U2,12-18,25,27, V4,12-18, W4,26, Y2,4,28, AB6,25-26, AC2,6,26,28, AD6, AE4,17-19, AF2,7,10,13,16,19,22,25,28, AH2,4,7,10,13,16,19,22,25,28

Table 3. VT8751 Pin List (Alphabetical Order)

Pin #	Pin Name	Pin #	Pin Name	Pin #	Pin Name	Pin #	Pin Name	Pin #	Pin Name	Pin #	Pin Name	Pin #	Pin Name
B05	AO AB	V01	IO GD3	V28	IO HA18	B18	IO HD49	AG21	O MAB14	AJ15	IO MECC5 /CKE5		
P25	IO ADS#	T03	IO GD4	V27	IO HA19	C19	IO HD50	AC25	O MCLK	AJ13	IO MECC6 /CKE6		
A05	AO AG	U03	IO GD5	AA28	IO HA20	C18	IO HD51	AD25	I MCLKF	AE13	IO MECC7 /CKE7		
G06	P AGPVREF	T01	IO GD6	AA27	IO HA21	E18	IO HD52	AC29	IO MD00	AD07	P MEMVREF		
R06	P AGPVREF	T02	IO GD7	W28	IO HA22	E17	IO HD53	AD27	IO MD01	AD12	P MEMVREF		
B06	AO AR	R03	IO GD8	AA25	IO HA23	D17	IO HD54	AD26	IO MD02	AD18	P MEMVREF		
B09	I BISTIN#	R02	IO GD9	W29	IO HA24	B15	IO HD55	AG29	IO MD03	AD23	P MEMVREF		
M29	IO BNR#	P01	IO GD10	W27	IO HA25	A16	IO HD56	AD29	IO MD04	A01	- NC		
L29	IO BPR1#	P03	IO GD11	AA26	IO HA26	E15	IO HD57	AD28	IO MD05	F02	- NC		
L26	O BREQ#	P04	IO GD12	AB29	IO HA27	A15	IO HD58	AE27	IO MD06	M05	- NC		
E14	O CPURST#	N05	IO GD13	AA29	IO HA28	C15	IO HD59	AF29	IO MD07	AD08	- NC		
AE09	O CS0#	N01	IO GD14	Y29	IO HA29	D14	IO HD60	AG28	IO MD08	AE08	- NC		
AF08	O CS1#	N02	IO GD15	Y26	IO HA30	A14	IO HD61	AG27	IO MD09	AC01	I PWROK		
AH06	O CS2#	M03	IO GD16	AB28	IO HA31	A17	IO HD62	AG25	IO MD10	AC03	I RESET#		
AG07	O CS3#	L03	IO GD17	AC27	IO HA32	B14	IO HD63	AH26	IO MD11	K28	IO RS0#		
AE12	O CS4#	L01	IO GD18	AB27	IO HA33	G27	IO HDBI0#	AH29	IO MD12	K29	IO RS1#		
AF11	O CS5#	K02	IO GD19	T25	IO HAS0#	C25	IO HDBI1#	AJ29	IO MD13	K27	IO RS2#		
AE05	O CS6#	K03	IO GD20	Y27	IO HAS1#	B22	IO HDBI2#	AJ27	IO MD14	A06	AI RSET		
AE06	O CS7#	K01	IO GD21	R24	P HAVREF	D16	IO HDBI3#	AG26	IO MD15	C03	I SBA0		
K25	IO DBSY#	K04	IO GD22	V24	P HAVREF	G28	IO HDS0	AJ25	IO MD16	C02	I SBA1		
D08	O DCLKO	J01	IO GD23	N25	I HCLK	G29	IO HDS0#	AF24	IO MD17	E04	I SBA2		
C08	I DCLKI	H01	IO GD24	M25	I HCLK#	A27	IO HDS1	AF23	IO MD18	D04	I SBA3		
M27	IO DEFER#	H03	IO GD25	G24	P HCMPVREF	B27	IO HDS1#	AH23	IO MD19	D03	I SBA4		
AA02	O DNCMD	G01	IO GD26	J28	IO HD00	D20	IO HDS2	AJ26	IO MD20	E01	I SBA5		
AA01	O DNSTB	G02	IO GD27	F29	IO HD01	E20	IO HDS2#	AG24	IO MD21	E03	I SBA6		
AA03	O DNSTB#	H04	IO GD28	J27	IO HD02	C17	IO HDS3	AG23	IO MD22	F03	I SBA7		
AE28	O DQM0 / CKE0	G03	IO GD29	F26	IO HD03	B17	IO HDS3#	AJ23	IO MD23	D02	I SBS		
AH27	O DQM1 / CKE1	G04	IO GD30	E28	IO HD04	F16	P HDVREF	AH21	IO MD24	D01	I SBS#		
AJ24	O DQM2 / CKE2	F01	IO GD31	H25	IO HD05	F19	P HDVREF	AF20	IO MD25	AE10	O SCASA#		
AJ20	O DQM3 / CKE3	T04	IO GDS0	J26	IO HD06	F22	P HDVREF	AJ19	IO MD26	AD16	O SCASB#		
AJ09	O DQM4 / CKE4	T05	IO GDS0#	E29	IO HD07	F24	P HDVREF	AG18	IO MD27	C09	IO SPCLK1		
AH05	O DQM5 / CKE5	J03	IO GDS1	J29	IO HD08	L27	IO HIT#	AJ21	IO MD28	E09	IO SPCLK2		
AJ01	O DQM6 / CKE6	J02	IO GDS1#	F27	IO HD09	J25	I HITM#	AG20	IO MD29	D09	IO SPDAT1		
AD04	O DQM7 / CKE7	N04	IO GDEVSEL#	H29	IO HD10	L25	I HLOCK#	AF18	IO MD30	E08	IO SPDAT2		
AJ14	O DQM8	L04	IO GFRM#	F28	IO HD11	F25	AI HRCOMP	AH18	IO MD31	AG16	O SRASA#		
AE29	IO DQS0# / CKE0	B01	O GGNT#	E27	IO HD12	R25	IO HREQ0#	AH11	IO MD32	AD19	O SRASB#		
AJ28	IO DQS1# / CKE1	M01	IO GIRDY#	D29	IO HD13	P27	IO HREQ1#	AG10	IO MD33	E05	O ST0		
AH24	IO DQS2# / CKE2	D06	P GNDDAC	G25	IO HD14	N27	IO HREQ2#	AG09	IO MD34	F05	O ST1		
AH20	IO DQS3# / CKE3	M24	P GNDHCK	H26	IO HD15	P29	IO HREQ3#	AJ08	IO MD35	J05	O ST2		
AH09	IO DQS4# / CKE4	AC24	P GNDMCK	A25	IO HD16	P26	IO HREQ4#	AG11	IO MD36	AC04	I SUSST#		
AJ05	IO DQS5# / CKE5	AD15	P GNDMDLL	D27	IO HD17	B08	O HSYNC	AJ10	IO MD37	AE14	O SWEA#		
AH01	IO DQS6# / CKE6	B07	P GNDPLL1	A26	IO HD18	M26	IO HTRDY#	AF09	IO MD38	AD17	O SWEB#		
AD03	IO DQS7# / CKE7	D07	P GNDPLL2	B25	IO HD19	A09	O INTA#	AG08	IO MD39	W25	I TESTIN#		
AG14	IO DQS8#	A03	P GNDQQ	C28	IO HD20	AF12	O MAA00	AG06	IO MD40	Y01	I UPCMD		
M28	IO DRDY#	C05	P GNDRGB	D25	IO HD21	AE16	O MAA01	AE07	IO MD41	AA04	I UPSTB		
E11	O FPCLK/TVCKO	E19	P GNDTT	A28	IO HD22	AJ17	O MAA02	AG05	IO MD42	Y03	I UPSTB#		
C13	O FPD00 / TVD0 / strap	P24	P GNDTT	B29	IO HD23	AG17	O MAA03	AF05	IO MD43	W05	IO VAD0 / strap		
B13	O FPD01 / TVD1 / strap	U04	IO GPAR	D28	IO HD24	AF17	O MAA04	AJ06	IO MD44	W03	IO VAD1 / strap		
A13	O FPD02 / TVD2 / strap	G05	I GPIPE#	C27	IO HD25	AE21	O MAA05	AF06	IO MD45	AB03	IO VAD2 / strap		
D13	O FPD03 / TVD3 / strap	E10	O GPOU	C26	IO HD26	AE20	O MAA06	AJ04	IO MD46	W01	IO VAD3 / strap		
E13	O FPD04 / TVD4 / strap	D11	O GPOUT	A29	IO HD27	AE22	O MAA07	AJ03	IO MD47	AA05	IO VAD4 / strap		
D12	O FPD05 / TVD5 / strap	H05	I GRBF#	C24	IO HD28	AG22	O MAA08	AH03	IO MD48	W02	IO VAD5 / strap		
C12	O FPD06 / TVD6 / strap	C01	I GREQ#	B26	IO HD29	AF26	O MAA09	AG04	IO MD49	AB01	IO VAD6 / strap		
A12	O FPD07 / TVD7 / strap	R05	IO GSTOP#	D23	IO HD30	AH12	O MAA10	AG02	IO MD50	AB02	IO VAD7		
B12	O FPD08 / TVD8	L24	P GTLVREF	C29	IO HD31	AJ07	O MAA11	AF01	IO MD51	V05	IO VBE#		
E12	O FPD09 / TVD9 / strap	P05	IO GTRDY#	A23	IO HD32	AG12	O MAA12	AG03	IO MD52	C06	P VCCDAC		
B11	O FPD10 / TVD10	L05	I GWBF#	B24	IO HD33	AE25	O MAA13	AJ02	IO MD53	N24	P VCCHCK		
A11	O FPD11 / TVBL#	N29	IO HA03	E22	IO HD34	AJ22	O MAA14	AF04	IO MD54	AD24	P VCCMCK		
B10	OI FPDE / TVCKI	R27	IO HA04	A21	IO HD35	AJ12	O MAB00	AG01	IO MD55	AE15	P VCCMDLL		
A10	IO FPDET / TVD11	R26	IO HA05	A24	IO HD36	AG15	O MAB01	AE03	IO MD56	C07	P VCCPLL1		
D10	O FPDS / TVHS	R29	IO HA06	D22	IO HD37	AJ16	O MAB02	AE01	IO MD57	E07	P VCCPLL2		
C10	O FPVS / TVVS	N28	IO HA07	C23	IO HD38	AH17	O MAB03	AD01	IO MD58	A04	P VCCQQ		
R01	IO GBE0#	T29	IO HA08	B23	IO HD39	AJ18	O MAB04	AC05	IO MD59	E06	P VCCRGB		
N03	IO GBE1#	T27	IO HA09	A22	IO HD40	AF21	O MAB05	AF03	IO MD60	AB04	AI VLCOMP		
M02	IO GBE2#	V25	IO HA10	C20	IO HD41	AG19	O MAB06	AE02	IO MD61	Y05	P VLVREF		
K05	IO GBE3#	R28	IO HA11	E21	IO HD42	AE24	O MAB07	AD02	IO MD62	AB05	P VSUS25		
U05	I GCLK	U28	IO HA12	B21	IO HD43	AE23	O MAB08	AD05	IO MD63	A08	O VSYNC		
A02	AI GCOMPNO	U29	IO HA13	A20	IO HD44	AF27	O MAB09	AF15	IO MECC0 /CKE0	A07	I XIN / XDCLK		
B03	AI GCOMPNI	V26	IO HA14	B20	IO HD45	AE11	O MAB10	AF14	IO MECC1 /CKE1				
V02	IO GD0	T28	IO HA15	B19	IO HD46	AH08	O MAB11	AH14	IO MECC2 /CKE2				
V03	IO GD1	U26	IO HA16	A19	IO HD47	AJ11	O MAB12	AG13	IO MECC3 /CKE3				
U01	IO GD2	V29	IO HA17	A18	IO HD48	AE26	O MAB13	AH15	IO MECC4 /CKE4				

VCC25 Pins (26 pins): F9-11,14-15,20-21, H6,24, J6,24, N6, P6, W6,24, Y6,24, AA6, AD9-11,13-14,20-22

VCCMEM Pins (26 pins): V20, W10,20, Y10-20, AA9-20

VCCAGP Pins (19 pins): K6,9, L6,9-10, M6,9-10, N9-10, P9-10, R9-10, T6,9-10, U6, V6

VCCVL (4 pins): U9-10, V9-10, W9, Y9

VCCFP (3 pins): K11-13

VTT Pins (25 pins): E16, E23, F17-18,23, K14-20,24, L20, M20, N20, P20, R20,T20,24, U20,24, Y25, AA24, AB24

GND Pins (133 pins): B2,4,16,28, C4,11,14,16,21-22, D5,15,18-19,21,24,26, E2,24-26, F4,6-8,12-13, G26, H2,27-28, J4, K10,26, L2,28, M4,12-18, N12-18,26, P2,12-18,28, R4,12-18, T12-18,26, U2,12-18,25,27, V4,12-18, W4,26, Y2,4,28, AB6,25-26, AC2,6,26,28, AD6, AE4,17-19, AF2,7,10,13,16,19,22,25,28, AH2,4,7,10,13,16,19,22,25,28

PIN DESCRIPTIONS

Table 4. VT8751 / P4M266 Pin Descriptions

CPU Interface																							
Signal Name	Pin #	I/O	Signal Description																				
HA[33:3]#	(see pinout tables)	IO	Host CPU Address Bus. Connect to the address bus of the host CPU. Inputs during CPU cycles and driven by the P4M266 during cache snooping operations. HA[33:32] are reserved for future use in supporting up to 16 Gbytes of real memory.																				
HAS[1:0]#	Y27, T25	IO	Host CPU Address Strobe. Source synchronous strobes used to transfer HA[31:3]# and HREQ[4:0]# at a 2x transfer rate. HAS1# is the strobe for HA[31:17]# and HAS0# is the strobe for HA[16:3] and HREQ[4:0]#.																				
HD[63:0]#	(see pinout tables)	IO	Host CPU Data. These signals are connected to the CPU data bus.																				
HDBI[3:0]#	D16, B22, C25, G27	IO	Host CPU Dynamic Bus Inversion. Driven along with HD[63:0]# to indicate if the associated signals are inverted or not. Used to limit the number of simultaneously switching signals to 8 for the associated 16-bit data pin group (HDBI3# for HD[63:48]#, HDBI2# for HD[47:32]#, HDBI1# for HD[31:16]#, and HDBI0# for HD[15:0]#). HDBIn# is asserted such that the number of data bits driven low for the corresponding group does not exceed 8.																				
HDS[3:0]	C17, D20, A27, G28	IO	Host CPU Differential Data Strobes. Source synchronous strobes used to transfer HD[63:0]# and HDBI[3:0]# at a 4x transfer rate. HDS3 / HDS3# are the strobes for HD[63:48]# and HDBI3#; HDS2 / HDS2# are the strobes for HD[47:32]# and HDBI2#; HDS1 / HDS1# are the strobes for HD[31:16]# and HDBI1#; and HDS0 / HDS0# are the strobes for HD[15:0]# and HDBI0#.																				
HDS[3:0]#	B17, E20, B27, G29																						
ADS#	P25	IO	Address Strobe. The CPU asserts ADS# in T1 of the CPU bus cycle.																				
DBSY#	K25	IO	Data Bus Busy. Used by the data bus owner to hold the data bus for transfers requiring more than one cycle.																				
DRDY#	M28	IO	Data Ready. Asserted for each cycle that data is transferred.																				
HIT#	L27	IO	Hit. Indicates that a caching agent holds an unmodified version of the requested line. Also driven in conjunction with HITM# by the target to extend the snoop window.																				
HITM#	J25	I	Hit Modified. Asserted by the CPU to indicate that the address is modified in the L1 cache and needs to be written back.																				
HLOCK#	L25	I	Host Lock. All CPU cycles sampled with the assertion of HLOCK# and ADS# until the negation of HLOCK# must be atomic.																				
HREQ[4:0]#	P26, P29, N27, P27, R25	IO	Request Command. Asserted during both clocks of the request phase. In the first clock, the signals define the transaction type to a level of detail that is sufficient to begin a snoop request. In the second clock, the signals carry additional information to define the complete transaction type.																				
HTRDY#	M26	IO	Host Target Ready. Indicates that the target of the processor transaction is able to enter the data transfer phase.																				
RS[2:0]#	K27, K29, K28	IO	Response Signals. Indicates the type of response per the table below: <table border="1" style="margin-left: 20px;"> <thead> <tr> <th>RS[2:0]#</th> <th>Response type</th> <th>RS[2:0]#</th> <th>Response type</th> </tr> </thead> <tbody> <tr> <td>000</td> <td>Idle State</td> <td>100</td> <td>Hard Failure</td> </tr> <tr> <td>001</td> <td>Retry Response</td> <td>101</td> <td>Normal Without Data</td> </tr> <tr> <td>010</td> <td>Defer Response</td> <td>110</td> <td>Implicit Writeback</td> </tr> <tr> <td>011</td> <td>Reserved</td> <td>111</td> <td>Normal With Data</td> </tr> </tbody> </table>	RS[2:0]#	Response type	RS[2:0]#	Response type	000	Idle State	100	Hard Failure	001	Retry Response	101	Normal Without Data	010	Defer Response	110	Implicit Writeback	011	Reserved	111	Normal With Data
RS[2:0]#	Response type	RS[2:0]#	Response type																				
000	Idle State	100	Hard Failure																				
001	Retry Response	101	Normal Without Data																				
010	Defer Response	110	Implicit Writeback																				
011	Reserved	111	Normal With Data																				

Note: Clocking of the CPU interface is performed with HCLK and HCLK#.

Note: Internal pullup resistors are provided on all AGTL+ interface pins. If the CPU does not have internal pullups, these north bridge internal pullups may be enabled to allow the interface to meet AGTL+ bus interface specifications (see VAD3 strap).

CPU Interface (continued)			
Signal Name	Pin #	I/O	Signal Description
BREQ#	L26	O	Bus Request. Bus request output to CPU.
BPRI#	L29	IO	Priority Agent Bus Request. The owner of this signal will always be the next bus owner. This signal has priority over symmetric bus requests and causes the current symmetric owner to stop issuing new transactions unless the HLOCK# signal is asserted. The P4M266 drives this signal to gain control of the processor bus.
BNR#	M29	IO	Block Next Request. Used to block the current request bus owner from issuing new requests. This signal is used to dynamically control the processor bus pipeline depth.
DEFER#	M27	IO	Defer. The P4M266 uses a dynamic deferring policy to optimize system performance. The P4M266 also uses the DEFER# signal to indicate a processor retry response.
CPURST#	E14	O	CPU Reset. Reset output to CPU. External pullup and filter capacitor to ground should be provided per CPU manufacturer's recommendations.

The pinouts were defined assuming the ATX PCB layout model shown below (and general pin layout shown) as a guide for PCB component placement. Other PCB layouts (AT, LPX, and NLX) were also considered and can typically follow the same general component placement.

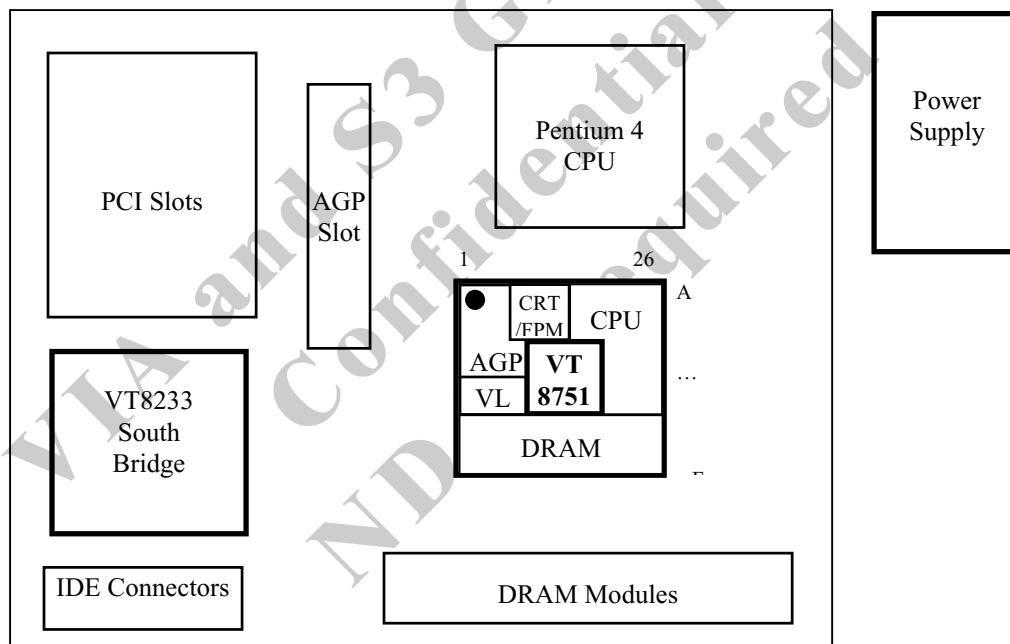


Figure 3. Reference Component Placement Using the P4M266 Chipset

DRAM Interface			
<u>Signal Name</u>	<u>Pin #</u>	<u>I/O</u>	<u>Signal Description</u>
MD[63:0]	(see pin lists)	IO	Memory Data. These signals are connected to the DRAM data bus. Output drive strength may be set by Device 0 Rx6D[1-0].
MECC[7:0] / CKE[7:0]	AE13, AJ13, AJ15, AH15, AG13, AH14, AF14, AF15	IO	DRAM ECC or EC Data: when ECC is enabled. Clock Enables: For each DRAM bank for powering down the SDRAMs in notebook applications. Also used in desktop systems for clock control to reduce power usage and for reducing heat/temperature in high-speed memory systems.
MAA[14:0]	AJ22, AE25, AG12, AJ7, AH12, AF26, AG22, AE22, AE20, AE21, AF17, AG17, AJ17, AE16, AF12	O	Memory Address A. DRAM address lines (two sets for better drive). Output drive strength may be set by Device 0 Rx6C[7-6].
MAB[14:0]	AG21, AE26, AJ11, AH8, AE11, AF27, AE23, AE24, AG19, AF21, AJ18, AH17, AJ16, AG15, AJ12	O	Memory Address B. DRAM address lines (two sets for better drive). Output drive strength may be set by Device 0 Rx6C[5-4].
SRASA#, SCASA#, SWEA#	AG16, AE10, AE14	O	Row Address, Column Address and Write Enable Command Indicator Set A. (two sets for better drive). Output drive strength may be set by Device 0 Rx6C[7-6].
SRASB#, SCASB#, SWEB#	AD19, AD16, AD17	O	Row Address, Column Address and Write Enable Command Indicator Set B. (two sets for better drive). Output drive strength may be set by Device 0 Rx6C[5-4].
CS[7:0]#	AE6, AE5, AF11, AE12, AG7, AH6, AF8, AE9	O	Chip Select. Chip select of each bank. Output drive strength may be set by Device 0 Rx6D[3-2].
DQM[8], DQM[7:0] / CKE[7:0]	AJ14, AD4, AJ1, AH5, AJ9, AJ20, AJ24, AH27, AE28	O	Data Mask. Data mask of each byte lane plus DQM8 for ECC byte. Output drive strength may be set by Device 0 Rx6D[5-4].
DQS[8], DQS[7:0]# / CKE[7:0]	AG14, AD3, AH1, AJ5, AH9, AH20, AH24, AJ28, AE29	IO	DDR Data Strobe. Data strobe of each byte lane plus DQS8# for ECC byte. Output drive strength may be set by Device 0 Rx6C[3-2].
CKE[7:0] / MECC[7:0] -or- CKE[7:0] / DQM[7:0] -or- CKE[7:0] / DQS[7:0]#	(see above)	O	Clock Enables. Clock enables for each DRAM bank for powering down the SDRAM or clock control for reducing power usage and for reducing heat / temperature in high-speed memory systems. See Device 0 Rx78[0] for CKE function enable.

AGP Bus Interface			
Signal Name	Pin #	I/O	Signal Description
GD[31:0]	(see pin list)	IO	Address / Data Bus. Address is driven with GDS assertion for AGP-style transfers and with GFRM# assertion for PCI-style transfers.
GBE[3:0]#	K5, M2, N3, R1	IO	Command / Byte Enables. AGP: These pins provide command information (different commands than for PCI) driven by the master (graphics controller) when requests are being enqueued using GPIPE#. These pins provide valid byte information during AGP write transactions and are driven by the master. The target (this chip) drives these lines to “0000” during the return of AGP read data. PCI: Commands are driven with GFRM# assertion. Byte enables corresponding to supplied or requested data are driven on following clocks.
GPAR	U4	IO	AGP Parity. A single parity bit is provided over GD[31:0] and GBE[3:0].
GDS0, GDS0#	T4, T5	IO	Bus Strobe 0. Source synchronous strobes for GD[15:0] (the agent that is providing the data drives these signals). GDS0 provides timing for 2x data transfer mode; GDS0 and GDS0# provide timing for 4x transfer mode.
GDS1, GDS1#	J3, J2	IO	Bus Strobe 1. Source synchronous strobes for GD[31:16] (i.e., the agent that is providing the data drives these signals). GDS1 provides timing for 2x data transfer mode; GDS1 and GDS1# provide timing for 4x transfer mode.
GFRM#	L4	IO	Frame. Assertion indicates the address phase of a PCI transfer. Negation indicates that one more data transfer is desired by the cycle initiator.
GIRDY#	M1	IO	Initiator Ready. AGP: For write operations, the assertion of this pin indicates that the master is ready to provide all write data for the current transaction. Once this pin is asserted, the master is not allowed to insert wait states. For read operations, the assertion of this pin indicates that the master is ready to transfer a subsequent block of read data. The master is never allowed to insert a wait state during the initial block of a read transaction. However, it may insert wait states after each block transfers. PCI: Asserted when the initiator is ready for data transfer.
GTRDY#	P5	IO	Target Ready. AGP: Indicates that the target is ready to provide read data for the entire transaction (when the transaction can complete within four clocks) or is ready to transfer a (initial or subsequent) block of data when the transfer requires more than four clocks to complete. The target is allowed to insert wait states after each block transfer for both read and write transactions. PCI: Asserted when the target is ready for data transfer.
GSTOP#	R5	IO	Stop (PCI transactions only). Asserted by the target to request the master to stop the current transaction.
GDEVSEL#	N4	IO	Device Select (PCI transactions only). This signal is driven by the VT8753 when a PCI initiator is attempting to access main memory. It is an input when the VT8753 is acting as PCI initiator. Not used for AGP cycles.
GPIPE#	G5	I	Pipelined Request. Asserted by the master (the external graphics controller) to indicate that a full-width request is to be enqueued by the target VT8753. The master enqueues one request each rising edge of GCLK while GPIPE# is asserted. When GPIPE# is deasserted no new requests are enqueued across the AD bus.

AGP Bus Interface (continued)			
<u>Signal Name</u>	<u>Pin #</u>	<u>I/O</u>	<u>Signal Description</u>
GRBF#	H5	I	Read Buffer Full. Indicates if the master (graphics controller) is ready to accept previously requested low priority read data. When GRBF# is asserted, the VT8753 will not return low priority read data to the graphics controller.
GWBF#	L5	I	Write Buffer Full.
SBA[7:0]	F3, E3, E1, D3, D4, E4, C2, C3	I	SideBand Address. Provides an additional bus to pass address and command information from the master (graphics controller) to the target (VT8753 north bridge logic). These pins are ignored until enabled.
SBS, SBS#	D2, D1	I	Sideband Strobe. Driven by the master to provide timing for SBA[7:0]. SBS is used for AGP 2x while SBS and SBS# are used together for AGP 4x.
ST[2:0]	J5, F5, E5	O	<p>Status (AGP only). Provides information from the arbiter to a master to indicate what it may do. Only valid while GGNT# is asserted.</p> <p>000 Indicates that previously requested low priority read or flush data is being returned to the master (graphics controller).</p> <p>001 Indicates that previously requested high priority read data is being returned to the master.</p> <p>010 Indicates that the master is to provide low priority write data for a previously enqueued write command.</p> <p>011 Indicates that the master is to provide high priority write data for a previously enqueued write command.</p> <p>100 Reserved. (arbiter must not issue, may be defined in the future).</p> <p>101 Reserved. (arbiter must not issue, may be defined in the future).</p> <p>110 Reserved. (arbiter must not issue, may be defined in the future).</p> <p>111 Indicates that the master (graphics controller) has been given permission to start a bus transaction. The master may enqueue AGP requests by asserting PIPE# or start a PCI transaction by asserting GFRM#. ST[2:0] are always outputs from the target (north bridge logic) and inputs to the master (graphics controller).</p>
GREQ#	C1	I	Request. Master (graphics controller) request for use of the AGP bus.
GGNT#	B1	O	Grant. Permission is given to the master (graphics controller) to use the AGP bus.

Note: For PCI operation on the AGP bus, the following pins are not required:

- PERR# (parity and error reporting not required on transient data devices such as graphics controllers)
- LOCK# (no lock requirement on AGP)
- IDSEL (internally connected to AD16 on AGP-compliant masters)

Note: Separate system interrupts are not provided for AGP. The AGP connector provides interrupts via PCI bus INTA-B#.

Note: The AGP bus supports only one master directly (REQ[3:0]# and GNT[3:0]# are not provided). External logic is required to implement additional master capability. Note that the arbitration mechanism on the AGP bus is different from the PCI bus.

Note: A separate reset is not required for the AGP bus (RESET# resets both PCI and AGP buses)

Note: Two mechanisms are provided by the AGP bus to enqueue master requests: GPIPE# (to send addresses multiplexed on the AD lines) and the SBA port (to send addresses unmultiplexed). AGP masters implement one or the other or select one at initialization time (they are not allowed to change during runtime). Therefore only one of the two will be used and the signals associated with the other will not be used. Therefore the VT8753 has an internal pullup on GRBF# to maintain it in the de-asserted state in case it is not implemented on the master device.

V-Link Interface							
Signal Name	Pin #	I/O	Signal Description				
VAD7,	AB2	IO	Address / Data Bus.				SB
VAD6 / strap,	AB1	IO	<u>Strap</u>	<u>Strap Name</u>	<u>Definition (L=strap low, H=high)</u>	<u>Register</u>	<u>Pin</u>
VAD5 / strap,	W2	IO	VAD6	Auto-Configure	L=Disable (use on-chip defaults)	Rx54[5]	SDA2
VAD4 / strap,	AA5	IO			H=Enable (get from ROMSIP)		
VAD3 / strap,	W1	IO	VAD5	AGTL+ Drive Strength 4x	L=1x, H=4x		SDA1
VAD2 / strap,	AB3	IO	VAD4	AGTL+ Drive Strength 2x	L=1x, H=2x		SDA0
VAD1 / strap,	W3	IO	VAD3	AGTL+ Internal Pullups	L=Disable, H=Enable.	Rx50[6]	SA19
VAD0 / strap	W5	IO	VAD2	In Order Queue Depth	L=1-level, H=8-level.	Rx50[7]	SA18
			VAD1	CPU Clock Speed Msb	LL=66, LH=100,	Rx54[7]	SA17
			VAD0	CPU Clock Speed Lsb	HL=Auto, HH=133 MHz	Rx54[6]	SA16
VBE#	V5	IO	Byte Enable.				
UPCMD	Y1	I	Command from Client-to-Host.				
UPSTB	AA4	I	Strobe from Client-to-Host.				
UPSTB#	Y3	I	Complement Strobe from Client-to-Host.				
DNCMD	AA2	O	Command from Host-to-Client.				
DNSTB	AA1	O	Strobe from Host-to-Client.				
DNSTB#	AA3	O	Complement Strobe from Host-to-Client.				

CRT Interface			
Signal Name	Pin #	I/O	Signal Description
AR	B6	AO	Analog Red. Analog red output to the CRT monitor.
AB	B5	AO	Analog Blue. Analog blue output to the CRT monitor.
AG	A5	AO	Analog Green. Analog green output to the CRT monitor.
HSYNC	B8	O	Horizontal Sync. Output to CRT.
VSYNC	A8	O	Vertical Sync. Output to CRT.
RSET	A6	AI	Reference Resistor. Tie to GNDRGB through an external 140Ω resistor to control the RAMDAC full-scale current value.

SMB / I2C Interface			
Signal Name	Pin #	I/O	Signal Description
SPCLK[2:1]	E9, C9	IO	Serial Port (SMB/I2C) Clocks. These are the clocks for serial data transfer. SPCLK1 is typically used for I ² C communications. As an output, it is programmed via CRA0[0]. As an input, its status is read via CRA0[2]. In either case the serial port must be enabled by CRA0[4] = 1. SPCLK2 is typically used for DDC monitor communications. As an output, it is programmed via CRB1[0]. As an input, its status is read via CRB1[2]. The port is enabled via CRB1[4] = 1.
SPDAT[2:1]	E8, D9	IO	Serial Port (SMB/I2C) Data. These are the data signals used for serial data transfer. SPDAT1 is typically used for I ² C communications. As an output, it is programmed via CRA0[1]. As an input, its status is read via CRA0[3]. In either case the serial port must be enabled by CRA0[4] = 1. SPDAT2 is typically used for DDC monitor communications. As an output, it is programmed via CRB1[1]. As an input, its status is read via CRB1[3]. The port is enabled via CRB1[4] = 1.

Flat Panel Monitor (DVI) Interface			
Signal Name	Pin #	I/O	Signal Description
FPD11 / TVBL#, FPD10 / TVD10, FPD9 / TVD9 / strap, FPD8 / TVD8, FPD7 / TVD7 / strap, FPD6 / TVD6 / strap, FPD5 / TVD5 / strap, FPD4 / TVD4 / strap, FPD3 / TVD3 / strap, FPD2 / TVD2 / strap, FPD1 / TVD1 / strap, FPD0 / TVD0 / strap	A11 B11 E12 B12 A12 C12 D12 E13 D13 A13 B13 C13	O	Panel Data. 8mA is the default. 16mA is selected via SR3D[6]=1. This function is selected on these pins when SR31[4] = 1.
FPCLK / TVCLKO	E11	O	Panel Clock. 8mA is the default. 16mA may also be selected.
FPHS / TVHS	D10	O	Panel Horizontal Sync.
FPVS / TVVS	C10	O	Panel Vertical Sync.
FPDE / TVCLKI	B10	O	Panel Data Enable.
FPDET / TVD11	A10	I	Panel Detect. If SR30[1]=0, SR30[2] will read 1 if a Flat Panel is appropriately connected. Must be tied to ground if not used.

TV Encoder Interface			
Signal Name	Pin #	I/O	Signal Description
TVD11 / FPDET, TVD10 / FPD10, TVD9 / FPD9 / strap, TVD8 / FPD8, TVD7 / FPD7 / strap, TVD6 / FPD6 / strap, TVD5 / FPD5 / strap, TVD4 / FPD4 / strap, TVD3 / FPD3 / strap, TVD2 / FPD2 / strap, TVD1 / FPD1 / strap, TVD0 / FPD0 / strap	A10 B11 E12 B12 A12 C12 D12 E13 D13 A13 B13 C13	O	TV Encoder Output Data.
TVCLKI / FPDE	B10	I	TV Encoder Clock In. Input clock from encoder.
TVCLKO / FPCLK	E11	O	TV Encoder Clock Out. Output clock to TV encoder.
TVHS / FPHS	D10	O	TV Encoder HSYNC.
TVVS / FPVS	C10	O	TV Encoder VSYNC.
TVBL# / FPD11	A11	O	TV Encoder Blanking.

Clocks, Resets, Power Control, General Purpose I/O, Interrupts and Test			
Signal Name	Pin #	I/O	Signal Description
HCLK	N25	I	Host Clock. This pin receives the host CPU clock (100 MHz). This clock is used by all P4M266 logic that is in the host CPU domain.
HCLK#	M25	I	Host Clock Complement. Used for Quad Data Transfer on host CPU bus.
MCLK	AC25	O	Memory (SDRAM) Clock. Output from internal clock generator to the external clock buffer.
MCLKF	AD25	I	Memory (SDRAM) Clock Feedback. Input from the external clock buffer.
DCLKI	C8	I	Dot Clock (Pixel Clock) In. Used for external EMI reduction circuit if used. Connect to GND if external EMI reduction circuit not implemented.
DCLKO	D8	O	Dot Clock (Pixel Clock) Out. Used for external EMI reduction circuit if used. NC if external EMI reduction circuit not implemented.
GCLK	U5	I	Graphics Clock. Clock for internal graphics controller logic.
XIN / XDCLK	A7	I	Reference Frequency Input. External 14.31818 MHz clock source. All internal graphics controller clocks are synthesized on chip using this frequency as a reference. This pin may also be used as a direct external pixel clock input for the internal graphics controller, bypassing the on-chip graphics clock synthesizers (for more information, see the FPD3 pin strap description, graphics controller register CR37[3], and Table 11 in the Functional Description section of this document).
RESET#	AC3	I	Reset. Input from the South Bridge chip. When asserted, this signal resets P4N266 and sets all register bits to the default value. The rising edge of this signal is used to sample all power-up strap options. Internally pulled up.
PWROK	AC1	I	Power OK. Connect to South Bridge and Power Good circuitry.
SUSST#	AC4	I	Suspend Status. For implementation of the Suspend-to-DRAM feature. Connect to an external pullup to disable. Internally pulled up.
GPOUT	D11	O	General Purpose Output. This pin reflects the state of SRD[0].
GOPO / XECLK	E10	O	General Output Port. When SR1A[4] is cleared, this pin reflects the state of CR5C[0]. This pin may also be used as a direct external clock input for the internal graphics controller (for more information, see the FPD3 pin strap description, graphics controller register CR37[3], and Table 11 in the Functional Description section of this document).
INTA#	A9	O	Interrupt. PCI interrupt output (handled by the interrupt controller in the South Bridge)
BISTIN#	B9	I	BIST In. This pin is used for testing and must be tied high (connected to 3.3V) on all board designs.
TESTIN#	W25	I	Test In. This pin is used for testing and must be left unconnected or tied high on all board designs.
XDCLK / XIN	A7	I	External DCLK. Used for test of the on-chip Graphics Controller subsystem.
XECLK / GOPO	E10	I	External ECLK. Used for test of the on-chip Graphics Controller subsystem.
NC	A1, F2, M5, AD8, AE8	–	No Connect.

Configuration Straps			
<u>Signal Name</u>	<u>Pin #</u>	<u>I/O</u>	<u>Signal Description</u>
Strap / FPD9 / TVD9,	E12	I	Straps.
Strap / FPD7 / TVD7,	A12		<u>Strap</u> <u>Strap Name</u> <u>Definition (L=low, H=high)</u> <u>Register</u>
Strap / FPD6 / TVD6,	C12		FPD9 Graphics Test Mode L=Disable, H=Enable
Strap / FPD5 / TVD5,	D12		FPD7-4 Panel Type OEM Defined CRF0[3:0]
Strap / FPD4 / TVD4,	E13		FPD3 XDCLK clock input on XIN L=Disable, H=Enable CR37[3]
Strap / FPD3 / TVD3,	D13		FPD2 PCI Base Address Mapping L=Map0, H=Map1 CRB0[7]
Strap / FPD2 / TVD2,	A13		FPD1 I/O Disable L=Enable, H=Disable CR36[4]
Strap / FPD1 / TVD1,	B13		FPD0 PCI Interrupt Disable L=Enable, H=Disable CR36[0]
Strap / FPD0 / TVD0	C13		(for more information on straps, see Table 11 in the Functional Description section of this document)

Reference Voltages			
<u>Signal Name</u>	<u>Pin #</u>	<u>I/O</u>	<u>Signal Description</u>
GTLVREF	L24	P	Host CPU Interface AGTL+ Voltage Reference. 2/3 VTT ±2% typically derived using a resistive voltage divider. See P4M266 Design Guide.
HDVREF	F16, F19, F22, F24	P	Host CPU Data Voltage Reference. 2/3 VTT ±2% typically derived using a resistive voltage divider. See P4M266 Design Guide.
HAVREF	R24, V24	P	Host CPU Address Voltage Reference. 2/3 VTT ±2% typically derived using a resistive voltage divider. See P4M266 Design Guide.
HCMPVREF	G24	P	Host CPU Compensation Voltage Reference. 1/3 VTT ±2% typically derived using a resistive voltage divider. See P4M266 Design Guide.
MEMVREF	AD7, AD12, AD18, AD23	P	Memory Voltage Reference. 1/2 VCC25 ±2% typically derived using a resistive voltage divider. See P4M266 Design Guide.
VLVREF	Y5	P	V-Link Voltage Reference. 0.9V derived using a resistive voltage divider consisting of 2K Ω 1% to VCC25 and 1.13K Ω 1% to ground.
AGPVREF	G6, R6	P	AGP Voltage Reference. 0.4 VCCQQ (1.32V) when VCCQQ is 3.3V and 0.5 VCCQQ (0.75V) when VCCQQ is 1.5V. Check the VT8751 Design Guide for additional information.

Compensation			
<u>Signal Name</u>	<u>Pin #</u>	<u>I/O</u>	<u>Signal Description</u>
HRCOMP	F25	AI	Host CPU Compensation. Connect 20.5Ω 1% resistor to ground. Used for Host CPU interface I/O buffer calibration.
VLCOMP	AB4	AI	Vlink P-Channel Compensation. Connect 70Ω 1% resistor to ground.
GCOMP0	A2	AI	AGP N-Channel Compensation 0.
GCOMP1	B3	AI	AGP N-Channel Compensation 1.

Analog Power / Ground			
<u>Signal Name</u>	<u>Pin #</u>	<u>I/O</u>	<u>Signal Description</u>
VCCCHK	N24	P	Power for Host CPU Clock PLL (2.5V ±5%)
GNDHCK	M24	P	Ground for Host CPU Clock Circuitry. Connect to main ground plane through a ferrite bead.
VCCMCK	AD24	P	Power for Memory Clock PLL (2.5V ±5%)
GNDMCK	AC24	P	Ground for Memory Clock Circuitry. Connect to main ground plane through a ferrite bead.
VCCMDLL	AE15	P	Power for Memory Strobe DLL (2.5V ±5%)
GNDMDLL	AD15	P	Ground for Memory Strobe DLL Circuitry. Connect to main ground plane through a ferrite bead.
VCCRGB	E6	P	Power for CRT RGB Outputs (2.5V ±5%).
GNDRGB	C5	P	Connection Point for RGB Load Resistors. Connect to main ground plane.
VCCDAC	C6	P	Power for DAC Digital Logic. (2.5V ±5%)
GNDDAC	D6	P	Ground for DAC Analog Circuitry. Connect to main ground plane through a ferrite bead.
VCCPLL1	C7	P	Power for PLL1 (2.5V ±5%).
GNDPLL1	B7	P	Ground for PLL1. Connect to main ground plane through a ferrite bead.
VCCPLL2	E7	P	Power for PLL2 (2.5V ±5%).
GNDPLL2	D7	P	Ground for PLL2. Connect to main ground plane through a ferrite bead.

Digital Power / Ground			
<u>Signal Name</u>	<u>Pin #</u>	<u>I/O</u>	<u>Signal Description</u>
VTT	E16,23, F17-18,23, K14-20,24, L20, M20, N20, P20, R20, T20,24, U20,24, Y25, AA24, AB24	P	Power for CPU I/O Interface Logic (25 Pins). 1.65V ±5%
GNDTT	E19, P24	P	Ground for CPU I/O Interface Logic (2 Pins).
VCCMEM	V20, W10,20, Y10-20, AA9-20	P	Power for Memory I/O Interface Logic (26 Pins). 2.5 ±5%.
VCCVL	U9-10, V9-10, W9, Y9	P	Power for V-Link I/O Interface Logic (6 Pins). 2.5V ±5%
VCCFP	K11-13	P	Power for Flat Panel I/O Interface Logic (3 Pins). 3.3V ±5%
VCCAGP	K6,9, L6,9-10, M6,9-10, N9-10, P9-10, R9-10, T6,9-10, U6, V6	P	Power for AGP Bus I/O Interface Logic (19 Pins). 1.5 / 3.3V ±5% (Device 0 RxB2[1] should be set to indicate the voltage).
VCCQQ	A4	P	AGP Quiet Power. Connect to main AGP power (VCCAGP = 1.5 / 3.3V ±5%) through a ferrite bead.
GNDQQ	A3	P	Ground for AGP Quiet Power. Connect to main ground plane.
VCC25	F9-11,14-15,20-21, H6,24, J6,24, N6, P6, W6,24, Y6,24, AA6, AD9-11,13-14,20-22	P	Power for Internal Logic (26 Pins). 2.5V ±5%
VSUS25	AB5	P	Suspend Power. 2.5V ±5%
GND	B2,4,16,28, C4,11,14,16,21-22, D5,15,18-19,21,24,26, E2,24-26, F4,6-8,12-13, G26, H2,27-28, J4, K10,26, L2,28, M4,12-18, N12-18,26, P2,12-18,28, R4,12-18, T12-18,26, U2,12-18,25,27, V4,12-18, W4,26, Y2,4,28, AB6,25-26, AC2,6,26,28, AD6, AE4,17-19, AF2,7,10,13,16,19,22,25,28, AH2,4,7,10,13,16,19,22,25,28	P	Digital Ground (133 Pins)

REGISTERS

Register Overview

The following tables summarize the configuration and I/O registers of the P4M266. These tables also document the power-on default value (“Default”) and access type (“Acc”) for each register. Access type definitions used are RW (Read/Write), RO (Read/Only), “—” for reserved / used (essentially the same as RO), RWC (or just WC) (Read / Write 1’s to Clear individual bits), and W1 (Write Once then Read / Only after that). Registers indicated as RW may have some read/only bits that always read back a fixed value (usually 0 if unused); registers designated as RWC or WC may have some read-only or read write bits (see individual register descriptions following these tables for details). All offset and default values are shown in hexadecimal unless otherwise indicated.

The graphics registers are described in a separate document.

Table 5. VT8751 / P4M266 Registers

P4M266 I/O Ports

Port #	I/O Port	Default	Acc
22	PCI / AGP Arbiter Disable	00	RW
CFB-8	Configuration Address	0000 0000	RW
CFF-C	Configuration Data	0000 0000	RW

VIA and S3 Graphics
 Confidential
 NDA Required

P4M266 Device 0 Registers - Host Bridge
Header Registers

Offset	Configuration Space Header	Default	Acc
1-0	Vendor ID	1106	RO
3-2	Device ID	3148	RO
5-4	Command	0006	RW
7-6	Status	0210	WC
8	Revision ID	0n	RO
9	Program Interface	00	RO
A	Sub Class Code	00	RO
B	Base Class Code	06	RO
C	-reserved-	00	—
D	Latency Timer	00	RW
E	Header Type	00	RO
F	Built In Self Test (BIST)	00	RO
13-10	Graphics Aperture Base	0000 0008	RW
14-2B	-reserved-	00	—
2D-2C	Subsystem Vendor ID	0000	W1
2F-2E	Subsystem ID	0000	W1
30-33	-reserved-	00	—
37-34	Capability Pointer	0000 00A0	RO
38-3F	-reserved-	00	—

Device-Specific Registers

Offset	V-Link Control	Default	Acc
40	V-Link Revision ID	00	RO
41	V-Link NB Capability	18	RO
42	V-Link NB Downlink Command	88	RW
44-43	V-Link NB Uplink Status	8280	RO
45	V-Link NB Bus Timer	44	RW
46	V-Link Misc NB Control	00	RW
47	V-Link Control	00	RW
48	V-Link NB/SB Configuration	18	RW
49	V-Link SB Capability	18	RO
4A	V-Link SB Downlink Status	88	RO
4C-4B	V-Link SB Uplink Command	8280	RW
4D	V-Link SB Bus Timer	44	RW
4E	CCA Master High Priority	00	RW
4F	V-Link SB Miscellaneous Control	00	RW

Offset	Host CPU Protocol Control	Default	Acc
50	CPU Interface Request Phase Control	00	RW
51	CPU Interface Basic Control	00	RW
52	CPU Interface Advanced Control	00	RW
53	CPU Interface Arbitration Control	03	RW
54	CPU Frequency	00	RW

Device-Specific Registers (continued)

Offset	DRAM Control	Default	Acc
55	DRAM Control	00	RW
56-57	(see below)		
59-58	MA Map Type	2222	RW
5F-5A	DRAM Row Ending Address:		
5A	Bank 0 Ending (HA[31:24])	01	RW
5B	Bank 1 Ending (HA[31:24])	01	RW
5C	Bank 2 Ending (HA[31:24])	01	RW
5D	Bank 3 Ending (HA[31:24])	01	RW
5E	Bank 4 Ending (HA[31:24])	01	RW
5F	Bank 5 Ending (HA[31:24])	01	RW
56	Bank 6 Ending (HA[31:24])	01	RW
57	Bank 7 Ending (HA[31:24])	01	RW
60	DRAM Type	00	RW
61	ROM Shadow Control C0000-CFFFF	00	RW
62	ROM Shadow Control D0000-DFFFF	00	RW
63	ROM Shadow Control E0000-FFFFF	00	RW
64	DRAM Timing for All Banks	E4	RW
65	DRAM Arbitration Timer	00	RW
66	DRAM Arbitration Control	00	RW
67	DRAM DQS/SDR/MD Read Delay	00	RW
68	DRAM DDR Control	00	RW
69	DRAM Clock Select	00	RW
6A	DRAM Refresh Counter	00	RW
6B	DRAM Arbitration Control	10	RW
6C	DRAM Drive Control 1	00	RW
6D	DRAM Drive Control 2	00	RW
6E	ECC Control	00	RW
6F	ECC Status	00	WC

Offset	PCI Bus Control	Default	Acc
70	PCI Buffer Control	00	RW
71	CPU to PCI Flow Control	48	WC
72	-reserved-	00	—
73	PCI Master Control	00	RW
74	-reserved-	00	—
75	PCI Arbitration 1	00	RW
76	PCI Arbitration 2	00	RW
77-7D	-reserved-	00	—
7E-7F	Reserved (do not program)	00	RW

Device 0 Device-Specific Registers (continued)

Offset	GART/TLB Control	Default	Acc
83-80	GART/TLB Control	0000 0000	RW
84	Graphics Aperture Size	00	RW
85	Write Policy	00	RW
86-87	-reserved-	00	—
8B-88	Gr. Aperture TLB Base Register Base	0000 0000	RW
8C-9F	-reserved-	00	—

Offset	AGP Control	Default	Acc
A0	AGP ID	02	RO
A1	AGP Next Item Pointer	C0	RO
A2	AGP Specification Revision	20	RO
A3	-reserved-	00	—
A7-A4	AGP Status	1F00 0207	RO
AB-A8	AGP Command	0000 0000	RW
AC	AGP Control	00	RW
AD	AGP Miscellaneous Control	02	RW
AE	AGP Miscellaneous Control	00	RW
AF	-reserved-	00	—
B0	AGP Compensation Control / Status	8x	RW
B1	AGP Output Drive Strength	63	RW
B2	AGP Pad Drive & Delay Control	08	RW
B3	AGP Strobe Drive Strength	63	RW

Offset	V-Link Control	Default	Acc
B4	V-Link NB Compensation Control	00	RW
B5	V-Link NB Drive Control	00	RW
B6-B7	-reserved-	00	—
B8	V-Link SB Compensation Control	00	RW
B9	V-Link SB Drive Control	00	RW
BA-BD	-reserved-	00	—

Offset	DRAM Interface Control	Default	Acc
BE	MECC Drive Strength	00	RW
BF	MA / SCMD Pad Toggle Reduction	00	RW

Offset	Power Mgt. & Misc. Control	Default	Acc
C0	Power Management Capability	01	RO
C1	Power Management Next Pointer	00	RO
C2	Power Management Capabilities I	02	RO
C3	Power Management Capabilities II	00	RO
C4	Power Management Control/Status	00	RW
C5	Power Management Status	00	RO
C6	PCI-to-PCI Bridge Support Extension	00	RO
C7	Power Management Data	00	RO
C8-CF	-reserved-	00	—

Device 0 Device-Specific Registers (continued)

Offset	ECC Error Control	Default	Acc
D3-D0	ECC Error Address	xx	RO
D4	ECC Error Syndrome Bit	xx	RO
D5-D7	-reserved-	00	—

Offset	AGTL+ I/O Control	Default	Acc
D8	Host Address (2x) Pullup Drive	00	RW
D9	Host Address (2x) Pulldown Drive	00	RW
DA	Host Data (4x) Pullup Drive	00	RW
DB	Host Data (4x) Pulldown Drive	00	RW
DC	AGTL+ Output Delay / Stagger Ctrl	00	RW
DD	AGTL+ I/O Control	00	RW
DE	AGTL+ Compensation Status	00	RW
DF	AGTL+ AutoCompensation Offset	00	RW

Offset	Frame Buffer & High Memory Ctrl	Default	Acc
E0	CPU Direct Access FB Base	00	RW
E1	CPU Direct Access FB Size	00	RW
E2	VGA Arbitration Timer 1	00	RW
E3	SMA Control	00	RW
E4	Low Top Address Low	00	RW
E5	Low Top Address High	FF	RW
E6	SMM / APIC Decoding	01	RW
E7	-reserved-	00	—
E8	VGA Arbitration Timer 2	00	RW
E9-EF	-reserved-	00	—

Offset	Test, BIOS Scratch, Miscellaneous	Default	Acc
F0-F2	Reserved (Do Not Program)	00	RW
F3-F4	BIOS Scratch Registers	00	RW
F5-FF	Reserved (Do Not Program)	00	RW

P4M266 Device 1 Registers - PCI-to-PCI Bridge
Header Registers

Offset	Configuration Space Header	Default	Acc
1-0	Vendor ID	1106	RO
3-2	Device ID	B091	RO
5-4	Command	0007	RW
7-6	Status	0230	WC
8	Revision ID	nn	RO
9	Program Interface	00	RO
A	Sub Class Code	04	RO
B	Base Class Code	06	RO
C	-reserved-	00	—
D	Latency Timer	00	RO
E	Header Type	01	RO
F	Built In Self Test (BIST)	00	RO
10-17	-reserved-	00	—
18	Primary Bus Number	00	RW
19	Secondary Bus Number	00	RW
1A	Subordinate Bus Number	00	RW
1B	Secondary Latency Timer	00	RO
1C	I/O Base	F0	RW
1D	I/O Limit	00	RW
1F-1E	Secondary Status	0000	RO
21-20	Memory Base	FFF0	RW
23-22	Memory Limit (Inclusive)	0000	RW
25-24	Prefetchable Memory Base	FFF0	RW
27-26	Prefetchable Memory Limit	0000	RW
28-33	-reserved-	00	—
34	Capability Pointer	80	RO
35-3D	-reserved-	00	—
3F-3E	PCI-to-PCI Bridge Control	00	RW

Device-Specific Registers

Offset	AGP Bus Control	Default	Acc
40	CPU-to-AGP Flow Control 1	00	RW
41	CPU-to-AGP Flow Control 2	08	RW
42	AGP Master Control	00	RW
43	AGP Master Latency Timer	43	RW
44	Reserved (Do Not Program)	00	RW
45	Fast Write Control	72	RW
47-46	PCI-to-PCI Bridge Device ID	0000	RW
48-7F	-reserved-	00	—
80	Capability ID	01	RO
81	Next Pointer	00	RO
82	Power Management Capabilities 1	02	RO
83	Power Management Capabilities 2	00	RO
84	Power Management Control / Status	00	RW
85	Power Management Status	00	RO
86	PCI-PCI Bridge Support Extensions	00	RO
87	Power Management Data	00	RO
88-FF	-reserved-	00	—

Miscellaneous I/O

One I/O port is defined in the P4M266: Port 22.

Port 22 – PCI / AGP Arbiter DisableRW

- 7-2 **Reserved** always reads 0
- 1 **AGP Arbiter Disable**
 - 0 Respond to GREQ# signaldefault
 - 1 Do not respond to GREQ# signal
- 0 **PCI Arbiter Disable**
 - 0 Respond to all REQ# signalsdefault
 - 1 Do not respond to any REQ# signals, including PREQ#

This port can be enabled for read/write access by setting bit-7 of Device 0 Configuration Register 78.

Configuration Space I/O

All registers in the P4M266 (listed above) are addressed via the following configuration mechanism:

Mechanism #1

These ports respond only to double-word accesses. Byte or word accesses will be passed on unchanged.

Port CFB-CF8 - Configuration Address..... RW

- 31 **Configuration Space Enable**
 - 0 Disabled..... default
 - 1 Convert configuration data port writes to configuration cycles on the PCI bus
- 30-24 **Reserved** always reads 0
- 23-16 **PCI Bus Number**
Used to choose a specific PCI bus in the system
- 15-11 **Device Number**
Used to choose a specific device in the system (devices 0 and 1 are defined for the P4M266)
- 10-8 **Function Number**
Used to choose a specific function if the selected device supports multiple functions (only function 0 is defined for the P4M266).
- 7-2 **Register Number (also called the "Offset")**
Used to select a specific DWORD in the P4M266 configuration space
- 1-0 **Fixed** always reads 0

Port CFF-CFC - Configuration Data..... RW

Refer to PCI Bus Specification Version 2.2 for further details on operation of the above configuration registers.

VIA and S3 Graphics
Confidential
NDA Required

Device 0 Register Descriptions

Device 0 Host Bridge Header Registers

All registers are located in PCI configuration space. They should be programmed using PCI configuration mechanism 1 through CF8 / CFC with bus number, function number, and device number equal to zero.

Device 0 Offset 1-0 - Vendor ID (1106h).....RO

15-0 ID Code (reads 1106h to identify VIA Technologies)

Device 0 Offset 3-2 - Device ID (3148h).....RO

15-0 ID Code (reads 3148h to identify the P4M266)

Device 0 Offset 5-4 –Command (0006h)..... RW

- 15-10 Reserved always reads 0
- 9 **Fast Back-to-Back Cycle Enable** RO
 - 0 Fast back-to-back transactions only allowed to the same agent.....default
 - 1 Fast back-to-back transactions allowed to different agents
- 8 **SERR# Enable**..... RO
 - 0 SERR# driver disabled.....default
 - 1 SERR# driver enabled
(SERR# is used to report ECC errors).
- 7 **Address / Data Stepping**..... RO
 - 0 Device never does stepping.....default
 - 1 Device always does stepping
- 6 **Parity Error Response**..... RW
 - 0 Ignore parity errors & continue.....default
 - 1 Take normal action on detected parity errors
- 5 **VGA Palette Snoop**..... RO
 - 0 Treat palette accesses normally.....default
 - 1 Don't respond to palette accesses on PCI bus
- 4 **Memory Write and Invalidate Command**..... RO
 - 0 Bus masters must use Mem Write.....default
 - 1 Bus masters may generate Mem Write & Inval
- 3 **Special Cycle Monitoring**..... RO
 - 0 Does not monitor special cycles.....default
 - 1 Monitors special cycles
- 2 **PCI Bus Master**..... RO
 - 0 Never behaves as a bus master
 - 1 Can behave as a bus master.....default
- 1 **Memory Space**..... RO
 - 0 Does not respond to memory space
 - 1 Responds to memory space.....default
- 0 **I/O Space** RO
 - 0 Does not respond to I/O spacedefault
 - 1 Responds to I/O space

Device 0 Offset 7-6 – Status (0210h).....RWC

- 15 **Detected Parity Error**
 - 0 No parity error detected..... default
 - 1 Error detected in either address or data phase.
This bit is set even if error response is disabled (command register bit-6). **write one to clear**
- 14 **Signaled System Error (SERR# Asserted)**
 -always reads 0
- 13 **Signaled Master Abort**
 - 0 No abort received default
 - 1 Transaction aborted by the master
..... **write one to clear**
- 12 **Received Target Abort**
 - 0 No abort received default
 - 1 Transaction aborted by the target
..... **write one to clear**
- 11 **Signaled Target Abort**always reads 0
 - 0 Target Abort never signaled
- 10-9 **DEVSEL# Timing**
 - 00 Fast
 - 01 Mediumalways reads 01
 - 10 Slow
 - 11 Reserved
- 8 **Data Parity Error Detected**
 - 0 No data parity error detected default
 - 1 Error detected in data phase. Set only if error response enabled via command bit-6 = 1 and P4M266 was initiator of the operation in which the error occurred..... **write one to clear**
- 7 **Fast Back-to-Back Capable**always reads 0
- 6 **User Definable Features**always reads 0
- 5 **66MHz Capable**.....always reads 0
- 4 **Supports New Capability list**.....always reads 1
- 3-0 **Reserved**always reads 0

Device 0 Offset 8 - Revision ID (0nh)..... RO

7-0 Chip Revision Code.....always reads 0nh

Device 0 Offset 9 - Programming Interface (00h)..... RO

7-0 Interface Identifieralways reads 00h

Device 0 Offset A - Sub Class Code (00h)..... RO

7-0 Sub Class Codereads 00 to indicate Host Bridge

Device 0 Offset B - Base Class Code (06h)..... RO

7-0 Base Class Code.. reads 06 to indicate Bridge Device

Device 0 Offset D - Latency Timer (00h)..... RW

Specifies the latency timer value in PCI bus clocks.

- 7-3 **Guaranteed Time Slice for CPU** default=0
- 2-0 **Reserved** (fixed granularity of 8 clks) .. always read 0
These bits are writeable but read 0 for PCI specification compatibility. The programmed value may be read back in Rx75[6-4] (PCI Arbitration 1).

Device 0 Host Bridge Header Registers (continued)

Device 0 Offset E - Header Type (00h).....RO

7-0 Header Type Code reads 00: single function

Device 0 Offset F - Built In Self Test (BIST) (00h).....RO

7 BIST Supportedreads 0: no supported functions
6-0 Reserved always reads 0

Device 0 Offset 13-10 - Graphics Aperture Base

(0000008h)RW

31-28 Upper Programmable Base Address Bits def=0

27-20 Lower Programmable Base Address Bits def=0

These bits behave as if hardwired to 0 if the corresponding Graphics Aperture Size register bit (Device 0 Offset 84h) is 0.

27	26	25	24	23	22	21	20	(This Register)
<u>7</u>	<u>6</u>	<u>5</u>	<u>4</u>	<u>3</u>	<u>2</u>	<u>1</u>	<u>0</u>	(Gr Aper Size)
RW	RW	RW	RW	RW	RW	RW	RW	1M
RW	RW	RW	RW	RW	RW	0	0	2M
RW	RW	RW	RW	RW	0	0	0	4M
RW	RW	RW	RW	0	0	0	0	8M
RW	RW	RW	0	0	0	0	0	16M
RW	RW	0	0	0	0	0	0	32M
RW	RW	0	0	0	0	0	0	64M
RW	0	0	0	0	0	0	0	128M
0	0	0	0	0	0	0	0	256M

19-0 Reserved always reads 00008

Note: The locations in the address range defined by this register are prefetchable.

Device 0 Offset 2D-2C – Subsystem Vendor ID (0000h)R/W1

15-0 Subsystem Vendor ID default = 0
This register may be written once and is then read only.

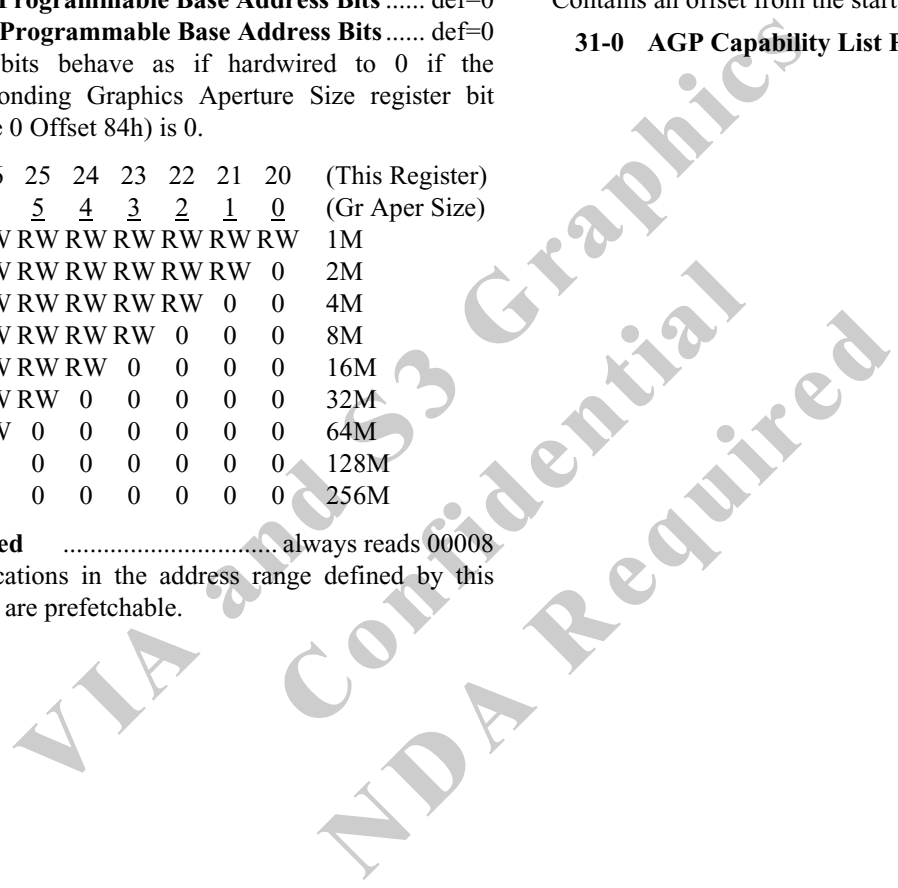
Device 0 Offset 2F-2E – Subsystem ID (0000h)..... R/W1

15-0 Subsystem ID default = 0
This register may be written once and is then read only.

Device 0 Offset 37-34 - Capability Pointer (00000A0h) RO

Contains an offset from the start of configuration space.

31-0 AGP Capability List Pointer always reads A0h



Device 0 Host Bridge Device-Specific Registers

These registers are normally programmed once at system initialization time.

V-Link Control

Device 0 Offset 40 – V-Link Specification ID (00h)RO

7-0 Specification Revision..... always reads 00

Device 0 Offset 41 – NB V-Link Capability (18h)RO

7-6 Reserved always reads 0

5 16-bit Bus Width SupportedRO

0 Not Supporteddefault

1 Supported

4 8-Bit Bus Width Supported.....RO

0 Not Supported

1 Supporteddefault

3 4x Rate SupportedRO

0 Not Supported

1 Supporteddefault

2 2x Rate SupportedRO

0 Not Supporteddefault

1 Supported

1-0 Reserved always reads 0

Device 0 Offset 42 – NB Downlink Command (88h)RW

7-4 DnCmd Max Request Depth (0=1 DnCmd) . def = 8

3-0 DnCmd Write Buffer Size (doublewords).... def = 8

Device 0 Offset 44-43 – NB Uplink Status (8280h).....RO

15-12 UpCmd P2C Write Buffer Size (max lines).. def = 8

11-8 UpCmd P2P Write Buffer Size (max lines).. def = 2

7-4 UpCmd Max Request Depth (0=1 UpCmd) . def = 8

3-0 Reserved always reads 0

Device 0 Offset 45 –NB V-Link Bus Timer (44h)..... RW

7-4 Timer for Normal Priority Requests from SB

0000 Immediate

0001 1*4 VCLKs

0010 2*4 VCLKs

0011 3*4 VCLKs

0100 4*4 VCLKs default

0101 5*4 VCLKs

0110 6*4 VCLKs

0111 7*4 VCLKs

1000 8*4 VCLKs

1001 16*4 VCLKs

1010 32*4 VCLKs

1011 64*4 VCLKs

11xx Own the bus for as long as there is a request

3-0 Timer for High Priority Requests from SB

0000 Immediate

0001 1*2 VCLKs

0010 2*2 VCLKs

0011 3*2 VCLKs

0100 4*2 VCLKs default

0101 5*2 VCLKs

0110 6*2 VCLKs

0111 7*2 VCLKs

1000 8*2 VCLKs

1001 16*2 VCLKs

1010 32*2 VCLKs

1011 64*2 VCLKs

11xx Own the bus for as long as there is a request

Device 0 Offset 46 – NB V-Link Misc Control (00h).....RW

- 7 Downstream High Priority**
 - 0 Disable High Priority Down Commandsdef
 - 1 Enable High Priority Down Commands
- 6 Downlink Priority**
 - 0 Treat Downlink Cycles as Normal Priority.def
 - 1 Treat Downlink Cycles as High Priority
- 5-4 Combine Multiple STPGNT Cycles Into One V-Link Command**
 - 00 Compatible, 1 command per V-Link cmd....def
 - 01 2 commands per V-Link command
 - 10 3 commands per V-Link command
 - 11 4 commands per V-Link command
- 3-2 V-Link Master Access Ordering Rules**
 - 00 High priority read, pass normal read (not pass write)default
 - 01 Read (high/normal) pass write (HR>LR>W)
 - 1x Read / write in order
- 1-0 Reserved** always reads 0

Device 0 Offset 47 – V-Link Control (00h)RW

- 7-3 Reserved** always reads 0
- 2 Auto-Disconnect**
 - 0 Disabledefault
 - 1 Enable
- 1 V-Link Disconnect Cycle for HALT cycle**
 - 0 Disabledefault
 - 1 Enable
- 0 V-Link Disconnect Cycle for STPGNT Cycle**
 - 0 Disabledefault
 - 1 Enable

Device 0 Offset 48 – NB/SB V-Link Configuration (18h)RW

- 7 Reserved**always reads 0
- 6 Rest Bus Width Supported**
 - 0 Not Supported default
 - 1 Supported
- 5 16-bit Bus Width Supported**
 - 0 Not Supported default
 - 1 Supported
- 4 8-Bit Bus Width Supported**
 - 0 Not Supported
 - 1 Supported default
- 3 4x Rate Supported**
 - 0 Not Supported
 - 1 Supported default
- 2 2x Rate Supported**
 - 0 Not Supported default
 - 1 Supported
- 1-0 Reserved**always reads 0

Device 0 Offset 49 – SB V-Link Capability (18h) RO

- 7-6 Reserved**always reads 0
- 5 16-bit Bus Width Supported RO**
 - 0 Not Supported default
 - 1 Supported
- 4 8-Bit Bus Width Supported RO**
 - 0 Not Supported
 - 1 Supported default
- 3 4x Rate Supported..... RO**
 - 0 Not Supported
 - 1 Supported default
- 2 2x Rate Supported..... RO**
 - 0 Not Supported default
 - 1 Supported
- 1-0 Reserved**always reads 0

Device 0 Offset 4A – SB Downlink Status (88h).....RO

- 7-4 DnCmd Max Request Depth (0=1 DnCmd) . def = 8
- 3-0 DnCmd Write Buffer Size (doublewords)..... def = 8

Device 0 Offset 4C-4B – SB Uplink Command (8280h).RW

- 15-12 UpCmd P2C Write Buffer Size (max lines).. def = 8
- 11-8 UpCmd P2P Write Buffer Size (max lines) .. def = 2
- 7-4 UpCmd Max Request Depth (0=1 UpCmd) . def = 8
- 3-0 Reserved always reads 0

Device 0 Offset 4D – SB V-Link Bus Timer (44h).....RW

- 7-4 **Timer for Normal Priority Requests from SB**
 - 0000 Immediate
 - 0001 1*4 VCLKs
 - 0010 2*4 VCLKs
 - 0011 3*4 VCLKs
 - 0100 4*4 VCLKsdefault
 - 0101 5*4 VCLKs
 - 0110 6*4 VCLKs
 - 0111 7*4 VCLKs
 - 1000 8*4 VCLKs
 - 1001 16*4 VCLKs
 - 1010 32*4 VCLKs
 - 1011 64*4 VCLKs
 - 11xx Own the bus for as long as there is a request
- 3-0 **Timer for High Priority Requests from SB**
 - 0000 Immediate
 - 0001 1*2 VCLKs
 - 0010 2*2 VCLKs
 - 0011 3*2 VCLKs
 - 0100 4*2 VCLKsdefault
 - 0101 5*2 VCLKs
 - 0110 6*2 VCLKs
 - 0111 7*2 VCLKs
 - 1000 8*2 VCLKs
 - 1001 16*2 VCLKs
 - 1010 32*2 VCLKs
 - 1011 64*2 VCLKs
 - 11xx Own the bus for as long as there is a request

Device 0 Offset 4E – CCA Master Priority (00h)..... RW

- 7 **1394 High Priority**
 - 0 Low priority..... default
 - 1 High priority
- 6 **LAN / NIC High Priority**
 - 0 Low priority..... default
 - 1 High priority
- 5 **Reserved**always reads 0
- 4 **USB High Priority**
 - 0 Low priority..... default
 - 1 High priority
- 3 **Reserved**always reads 0
- 2 **IDE High Priority**
 - 0 Low priority..... default
 - 1 High priority
- 1 **AC97-ISA High Priority**
 - 0 Low priority..... default
 - 1 High priority
- 0 **PCI High Priority**
 - 0 Low priority..... default
 - 1 High priority

Device 0 Offset 4F – SB V-Link Misc Control (00h) RW

- 7 **Upstream Command High Priority**
 - 0 Disable high priority up commands..... default
 - 1 Enable high priority up commands
- 6-1 **Reserved**always reads 0
- 0 **Down Cycle Wait for Up Cycle Write Flush (Except Down Cycle Post Write)**
 - 0 Disable..... default
 - 1 Enable

Host CPU Control

Device 0 Offset 50 – Request Phase Control (00h)RW

- 7 CPU Hardwired IOQ (In Order Queue) Size....RO**
Default set from the inverse of the VAD2 (south bridge SA18) strap. E.g., this bit can be strapped 0 (strap pin pulled high) to restrict the chip to one level of IOQ.
0 1-Level (strap pin pulled high)
1 8-Level (strap pin pulled low)
- 6 AGTL+ Pullups**
Default set from the inverse of the VAD3 (south bridge SA19) strap.
0 Disable (strap pulled high)
1 Enable (strap pulled low)
- 5 Fast DRAM Access**
0 Disabledefault
1 Enable
- 4-0 Dynamic Defer Snoop Stall Count**
(granularity = 2T, normally set to 01000b)

Device 0 Offset 51 – CPU Interface Basic Control (00h)RW

- 7 CPU Read DRAM Fast Ready**
0 Medium / Slow Ready (see bit 0) default
1 Fast Ready (bit-0 of this register is ignored)
- 6 Read Around Write**
0 Disable..... default
1 Enable
- 5 DRQ Control**
0 Non pipelined similar to VT8633 default
1 Pipelined
- 4 CPU to PCI Read Defer**
0 Disable..... default
1 Enable
- 3 Two Defer / Retry Entries**
0 Disable..... default
1 Enable
- 2 Two Defer / Retry Entries Shared**
0 Each entry is dedicated to 1 CPU default
1 Each entry is shared by 2 CPUs
- 1 PCI Master Pipelined Access**
0 Disable..... default
1 Enable
- 0 CPU Read DRAM Ready**
(this bit is ignored if bit-7 = 1)
0 Slow default
1 Medium

VIA and S3 Graphics
Confidential
NDA Required

Device 0 Offset 52 – CPU Interface Advanced Ctrl (00h) RW

- 7 CPU RW DRAM 0WS for Back-to-Back Pipeline Access**
 - 0 Disabledefault
 - 1 Enable
- 6 HREQ High Priority**
 - 0 Disabledefault
 - 1 Enable
- 5 C2P2 Timing**
 - 0 Compatible.....default
 - 1 Enhanced

This bit should always be set to 1.
- 4 Dynamic Snoop Stall for CPU FIFO Full**
 - 0 Disabledefault
 - 1 Enable
- 3 Write Retire Policy After 2 Writes**
 - 0 Disabledefault
 - 1 Enable
- 2 133 / 100 DADS Fast Conversion**
 - 0 Disabledefault
 - 1 Enable
- 1 Consecutive Speculative Read**
 - 0 Disabledefault
 - 1 Enable
- 0 Speculative Read**
 - 0 Disabledefault
 - 1 Enable

Device 0 Offset 53 – CPU Arbitration Control (03h).....RW

- 7-4 Host Timer** default = 0
- 3-0 BPRI Timer** (units of 4 HCLKs)..... default = 3

Device 0 Offset 54 – CPU Frequency (00h) RW

- 7-6 CPU Clock FrequencySet from VAD1-0 Straps**
 - 00 66 MHz
 - 01 100 MHz
 - 10 Auto
 - 1 133 MHz
- 5 Auto Configure (ROMSIP) . Set from VAD6 Strap**
 - 0 Disable (strap pulled low). Chip configuration settings per on-chip defaults.
 - 1 Enable (strap pulled high). AGTL+ Drive settings and other chip configuration settings are stored in ROM, transferred from the south bridge (via the V-Link bus), and loaded into the VT8703 automatically after system reset. Refer to the VT8703 BIOS Porting Guide for layout of the AutoConfigure settings in ROM and for recommended bit settings.
- 4 SDRAM Burst Length of 8**
 - 0 Disable..... default
 - 1 Enable
- 3 Reserved**always reads 0
- 2 PCI Master 8QW Operation**
 - 0 Disable..... default
 - 1 Enable
- 1 AGP Capability Header Support**
 - 0 Disable..... default
 - 1 Enable
- 0 Reserved**always reads 0

DRAM Control

These registers are normally set at system initialization time and not accessed after that during normal system operation. Some of these registers, however, may need to be programmed using specific sequences during power-up initialization to properly detect the type and size of installed memory (refer to the VIA Technologies VT8751 BIOS porting guide for details).

Table 6. System Memory Map

<u>Space</u>	<u>Start</u>	<u>Size</u>	<u>Address Range</u>	<u>Comment</u>
DOS	0	640K	00000000-0009FFFF	Cacheable
VGA	640K	128K	000A0000-000BFFFF	Used for SMM
BIOS	768K	16K	000C0000-000C3FFF	Shadow Ctrl 1
BIOS	784K	16K	000C4000-000C7FFF	Shadow Ctrl 1
BIOS	800K	16K	000C8000-000CBFFF	Shadow Ctrl 1
BIOS	816K	16K	000CC000-000CFFFF	Shadow Ctrl 1
BIOS	832K	16K	000D0000-000D3FFF	Shadow Ctrl 2
BIOS	848K	16K	000D4000-000D7FFF	Shadow Ctrl 2
BIOS	864K	16K	000D8000-000DBFFF	Shadow Ctrl 2
BIOS	880K	16K	000DC000-000DFFFF	Shadow Ctrl 2
BIOS	896K	64K	000E0000-000EFFFF	Shadow Ctrl 3
BIOS	960K	64K	000F0000-000FFFFF	Shadow Ctrl 3
Sys	1MB	—	00100000-DRAM Top	Can have hole
Bus	D Top		DRAM Top-FFFFFFF	
Init	4G-64K	64K	FFFFFFF-FFFFFFF	000Fxxxx alias

Device 0 Offset 55 – DRAM Control (00h)..... RW

- 7 OWS Back-to-Back Write to Different DDR Bank**
 0 Disable..... default
 1 Enable
- 6 Reserved**always reads 0
- 5 DQS Input DLL Adjustment**
 0 Disable..... default
 1 Enable
- 4 DQS Output DLL Adjustment**
 0 Disable..... default
 1 Enable
- 3 DQM Removal (Always Perform 4-Burst RW)**
 0 Disable..... default
 1 Enable
- 2 DQS Output**
 0 Disable..... default
 1 Enable
- 1 Auto Precharge for TLB Read or CPU WriteBack**
 0 Disable..... default
 1 Enable
- 0 Write Recovery Time**
 0 1T default
 1 2T

VIA and S3 Graphics
NDA Required

Device 0 Offset 59-58 - DRAM MA Map Type (2222h).RW

- 15-13 **Bank 5/4 MA Map Type** (see table below)
- 12 **Bank 5/4 1T Command Rate**
 - 0 2T Commanddefault
 - 1 1T Command
- 11-9 **Bank 7/6 MA Map Type** (see table below)
- 8 **Bank 7/6 1T Command Rate**
 - 0 2T Commanddefault
 - 1 1T Command
- 7-5 **Bank 1/0 MA Map Type** (see table below)
- 4 **Bank 1/0 1T Command Rate**
 - 0 2T Commanddefault
 - 1 1T Command
- 3-1 **Bank 3/2 MA Map Type** (see table below)
- 0 **Bank 3/2 1T Command Rate**
 - 0 2T Commanddefault
 - 1 1T Command

Table 7. Device 0 Rx58 MA Map Type Encoding

000	<u>16Mb</u>	8-bit, 9-bit, 10-bit Column Address
001	<u>64/128Mb</u>	8-bit Column Addressdefault
010	<u>64/128Mb</u>	9-bit Column Address
011	<u>64/128Mb</u>	10/11-bit Column Address
100		-reserved-
101	<u>256Mb</u>	8-bit Column Address
110	<u>256Mb</u>	9-bit Column Address
111	<u>256Mb</u>	10/11-bit Column Address

Device 0 Offset 5F-5A – DRAM Row Ending Address:

- Offset 5A – Bank 0 Ending (HA[31:24]) (01h)..... RW**
- Offset 5B – Bank 1 Ending (HA[31:24]) (01h)..... RW**
- Offset 5C – Bank 2 Ending (HA[31:24]) (01h)..... RW**
- Offset 5D – Bank 3 Ending (HA[31:24]) (01h)..... RW**
- Offset 5E – Bank 4 Ending (HA[31:24]) (01h)..... RW**
- Offset 5F – Bank 5 Ending (HA[31:24]) (01h)..... RW**
- Offset 56 – Bank 6 Ending (HA[31:24]) (01h)..... RW**
- Offset 57 – Bank 7 Ending (HA[31:24]) (01h)..... RW**

Note : BIOS is required to fill the ending address registers for all banks even if no memory is populated. The endings have to be in incremental order.

Device 0 Offset 60 – DRAM Type (00h)..... RW

- 7-6 **DRAM Type for Bank 7/6**
- 5-4 **DRAM Type for Bank 5/4**
- 3-2 **DRAM Type for Bank 3/2**
- 1-0 **DRAM Type for Bank 1/0**
 - 00 SDR SDRAM..... default
 - 01 -reserved- (do not program)
 - 10 DDR SDRAM
 - 11 -reserved-

Table 8. Memory Address Mapping Table

SDR / DDR SDRAM (x4 DRAMs supported by SDR only)

MA:	14	13	12	11	10	9	8	7	6	5	4	3	2	1	0	
<u>16Mb</u> (000)		24		13	12	11	14	22	21	20	19	18	17	16	15	12 row 10,9,8 col
<u>64/128Mb</u> 2K page 001	14	24	14	13	12	11	23	22	21	20	19	18	17	16	15	x16 (14,8) x32 (14,8)
4K page 010	14	25	14	13	12	24	23	22	21	20	19	18	17	16	15	x16 (14,9) x4 (14,10)
8K page 011	14	26	14	13	25	24	23	22	21	20	19	18	17	16	15	x8 (14,10) x4 (14,11)
<u>256Mb</u> 2K page 101	25	24	14	13	12	11	23	22	21	20	19	18	17	16	15	x32 (15,8)
4K page 110	26	25	14	13	12	24	23	22	21	20	19	18	17	16	15	x16 (15,9) x8 (15,10)
8K page 111	27	26	14	13	25	24	23	22	21	20	19	18	17	16	15	x8 (15,10) x4 (15,11)

Device 0 Offset 61 - Shadow RAM Control 1 (00h)..... RW

- 7-6 CC000h-CFFFh**
 - 00 Read/write disable.....default
 - 01 Write enable
 - 10 Read enable
 - 11 Read/write enable
- 5-4 C8000h-CBFFFh**
 - 00 Read/write disable.....default
 - 01 Write enable
 - 10 Read enable
 - 11 Read/write enable
- 3-2 C4000h-C7FFFh**
 - 00 Read/write disable.....default
 - 01 Write enable
 - 10 Read enable
 - 11 Read/write enable
- 1-0 C0000h-C3FFFh**
 - 00 Read/write disable.....default
 - 01 Write enable
 - 10 Read enable
 - 11 Read/write enable

Device 0 Offset 62 - Shadow RAM Control 2 (00h)..... RW

- 7-6 DC000h-DFFFFh**
 - 00 Read/write disable.....default
 - 01 Write enable
 - 10 Read enable
 - 11 Read/write enable
- 5-4 D8000h-DBFFFh**
 - 00 Read/write disable.....default
 - 01 Write enable
 - 10 Read enable
 - 11 Read/write enable
- 3-2 D4000h-D7FFFh**
 - 00 Read/write disable.....default
 - 01 Write enable
 - 10 Read enable
 - 11 Read/write enable
- 1-0 D0000h-D3FFFh**
 - 00 Read/write disable.....default
 - 01 Write enable
 - 10 Read enable
 - 11 Read/write enable

Device 0 Offset 63 - Shadow RAM Control 3 (00h)..... RW

- 7-6 E0000h-EFFFFh**
 - 00 Read/write disable default
 - 01 Write enable
 - 10 Read enable
 - 11 Read/write enable
- 5-4 F0000h-FFFFFh**
 - 00 Read/write disable default
 - 01 Write enable
 - 10 Read enable
 - 11 Read/write enable
- 3-2 Memory Hole**
 - 00 None default
 - 01 512K-640K
 - 10 15M-16M (1M)
 - 11 14M-16M (2M)
- 1 A0000 / B0000 SMRAM Direct Access**
 - 0 Enable..... default
 - 1 Disable
- 0 A0000 / B0000 DRAM Access**
 - 0 Enable..... default
 - 1 Disable

SMI Mapping Control

Bits	SMM		Non-SMM	
	Code	Data	Code	Data
1-0				
00	DRAM	DRAM	PCI	PCI
01	DRAM	DRAM	DRAM	DRAM
10	DRAM	PCI	PCI	PCI
11	DRAM	DRAM	DRAM	DRAM

Device 0 Offset 64 - DRAM Timing for All Banks (E4h)RW

- 7 **Precharge Command to Active Command Period**
 - 0 TRP = 2T
 - 1 TRP = 3Tdefault
- 6 **Active Command to Precharge Command Period**
 - 0 TRAS = 5T
 - 1 TRAS = 6Tdefault
- 5-4 **CAS Latency**

	SDR	DDR
00	1T	-
01	2T	2T
10	3T	2.5T.....default
11	-	3T
- 3 **Reserved** always reads 0
- 2 **ACTIVE to CMD**
 - 0 2T
 - 1 3Tdefault
- 1-0 **Bank Interleave**
 - 00 No Interleave.....default
 - 01 2-way
 - 10 4-way
 - 11 Reserved

For 16Mb SDRAMs bank interleave is always 2-way

Device 0 Offset 67 – DDR Strobe Input Delay (00h) RW

- DDR:**
- 7-6 **CS Early Clock Select** default = 0
 - 5-0 **DQS Input Delay** default = 0
(if Rx66[7]=0, read DLL calibration result)
- SDR:**
- 7-5 **Reserved**always reads 0
 - 4 **MD Latch Clock Select**
 - 0 Internal clock..... default
 - 1 External feedback clock
 - 3 **Reserved**always reads 0
 - 2-0 **MD Latch Delay**

Device 0 Offset 68 – DDR Strobe Output Delay (00h)... RW

- 7-0 **DDR DQS Output Delay** default = 0

Device 0 Offset 65 - DRAM Arbitration Timer (00h) RW

- 7-4 **AGP Timer** (units of 4 MCLKs) default = 0
- 3-0 **CPU Timer** (units of 4 MCLKs)..... default = 0

Device 0 Offset 66 - DRAM Arbitration Control (00h)..RW

- 7 **SDR – Feedback Clock Select**
- DDR - DQS Input Delay Setting**
 - 0 Auto (Rx67 reads DLL calibration result) ...def
 - 1 Manual (Rx67 reads DQS input delay)
- 6 **DRAM Access Timing**
 - 0 2Tdefault
 - 1 3T (Set this bit for 133 MHz DRAM clock)
- 5-4 **Arbitration Parking Policy**
 - 00 Park at last bus ownerdefault
 - 01 Park at CPU
 - 10 Park at AGP
 - 11 -reserved-
- 3-0 **AGP / CPU Priority** (units of 4 MCLKs)

Device 0 Offset 69 – DRAM Clock Select (00h)..... RW

- 7 CPU Operating Frequency Faster Than DRAM**
 - 0 CPU Same As or Equal to DRAM.....default
 - 1 CPU Faster Than DRAM by 33 MHz
- 6 DRAM Operating Frequency Faster Than CPU**
 - 0 DRAM Same As or Equal to CPU.....default
 - 1 DRAM Faster Than CPU by 33 MHz

Bits

7-6 CPU / DRAM

- 10 100 / 66
- 00 100 / 100.....default
- 01 100 / 133

- 5 S1 Resume**
 - 0 Compatible.....default
 - 1 Enhanced
- 4 DRAM Controller Queue Not Equal to 4**
 - 0 Disabledefault
 - 1 Enable
- 3 DRAM 8K Page Enable**
 - 0 Disabledefault
 - 1 Enable
- 2 DRAM 4K Page Enable**
 - 0 Disabledefault
 - 1 Enable
- 1 DIMM Type**
 - 0 Unbuffered.....default
 - 1 Registered
- 0 Multiple Page Mode**
 - 0 Disabledefault
 - 1 Enable

Device 0 Offset 6A - Refresh Counter (00h)..... RW

- 7-0 Refresh Counter** (in units of 16 MCLKs)
 - 00 DRAM Refresh Disabled default
 - 01 32 MCLKs
 - 02 48 MCLKs
 - 03 64 MCLKs
 - 04 80 MCLKs
 - 05 96 MCLKs
 -

The programmed value is the desired number of 16-MCLK units minus one.

Device 0 Offset 6B - DRAM Arbitration Control (10h) RW

- 7 Fast Read to Write Turn-around**
 - 0 Disable..... default
 - 1 Enable
- 6 Page Kept Active When Cross Bank**
 - 0 Disable..... default
 - 1 Enable
- 5 Burst Refresh**
 - 0 Disable..... default
 - 1 Enable
- 4 CKE Function**
 - 0 Disable
 - 1 Enable default
- 3 HA14 / HA22 Swap**
 - 0 Normal..... default
 - 1 Swap to improve performance
- 2-0 SDRAM Operation Mode Select**
 - 000 Normal SDRAM Mode default
 - 001 NOP Command Enable
 - 010 All-Banks-Precharge Command Enable
(CPU-to-DRAM cycles are converted to All-Banks-Precharge commands).
 - 011 MSR Enable
CPU-to-DRAM cycles are converted to commands and the commands are driven on MA[14:0]. The BIOS selects an appropriate host address for each row of memory such that the right commands are generated on MA[14:0].
 - 100 CBR Cycle Enable (if this code is selected, CAS-before-RAS refresh is used; if it is not selected, RAS-Only refresh is used)
 - 101 Reserved
 - 11x Reserved

Device 0 Offset 6C – DRAM Drive Control 1 (00h).....RW

- 7-6 SDRAM A Drive – SRASA/SCASA/SWEA, MAA**
 - 00 Lowest.....default
 - 01
 - 10
 - 11 Highest
- 5-4 SDRAM B Drive – SRASB/SCASB/SWEB, MAB**
 - 00 Lowest.....default
 - 01
 - 10
 - 11 Highest
- 3-2 DDR DQS Drive**
 - 00 Lowest.....default
 - 01
 - 10
 - 11 Highest
- 1-0 MD/MECC/DQM/CKE Early Clock Select**
 - 00 Latestdefault
 - 01
 - 10
 - 11 Earliest

Note: Refer to the VT8751 BIOS Porting Guide for SDRAM configuration algorithms and recommended settings for these bits for typical memory system configurations.

Device 0 Offset 6D – DRAM Drive Control 2 (00h)..... RW

- 7-6 Early Clock Select for SCMD, MA Output (for 1T Command)**
 - 00 Latest default
 - 01
 - 10
 - 11 Earliest
- 5-4 DQM Drive**
 - 00 Lowest default
 - 01
 - 10
 - 11 Highest
- 3-2 CS# Drive**
 - 00 Lowest default
 - 01
 - 10
 - 11 Highest
- 1-0 Memory Data Drive (MD, MECC)**
 - 00 Lowest default
 - 01
 - 10
 - 11 Highest

Note: Refer to the VT8751 BIOS Porting Guide for SDRAM configuration algorithms and recommended settings for these bits for typical memory system configurations.

VIA and S3 Graphics
 Confidential
 NDA Required

Device 0 Offset 6E - ECC Control (00h)RW

- 7 ECC / EC Mode Select**
 - 0 ECC Checking and Reportingdefault
 - 1 ECC Checking, Reporting, and Correcting
- 6 Perform Read-Modify-Write for Partial Write**
 - 0 Disabledefault
 - 1 Enable
- 5 Enable SERR# on ECC / EC Multi-Bit Error**
 - 0 Don't assert SERR# for multi-bit errorsdef
 - 1 Assert SERR# for multi-bit errors
- 4 Enable SERR# on ECC / EC Single-Bit Error**
 - 0 Don't assert SERR# for single-bit errorsdef
 - 1 Assert SERR# for single-bit errors
- 3 ECC / EC Enable - Bank 7/6 (DIMM 3)**
 - 0 Disable (no ECC or EC for banks 7/6)...default
 - 1 Enable (ECC or EC per bit-7)
- 2 ECC / EC Enable - Bank 5/4 (DIMM 2)**
 - 0 Disable (no ECC or EC for banks 5/4)...default
 - 1 Enable (ECC or EC per bit-7)
- 1 ECC / EC Enable - Bank 3/2 (DIMM 1)**
 - 0 Disable (no ECC or EC for banks 3/2)...default
 - 1 Enable (ECC or EC per bit-7)
- 0 ECC / EC Enable - Bank 1/0 (DIMM 0)**
 - 0 Disable (no ECC or EC for banks 1/0)...default
 - 1 Enable (ECC or EC per bit-7)

Error checking / correction may be enabled bank-pair by bank-pair (DIMM by DIMM) by using bits 0-3 above. Bank pairs must be populated with 72-bit memory to enable for EC or ECC since the additional data bits must be present in either case. For this reason, if 64-bit memory is populated in a particular bank pair, the corresponding bit 0-3 should be set to 0 to disable both EC and ECC for that bank pair. For those bank pairs that have 72-bit memory available (and have the corresponding bit 0-3 set), either EC or ECC may be selected via bit-7 above (i.e., all enabled bank pairs will use EC or all will use ECC).

If error checking / reporting only (EC) is selected, all read and write cycles will use normal timing. Partial writes (with EC or ECC enabled) will use read-modify-write cycles to maintain correct error correction codes in the additional 8 data bits. If EC and ECC are disabled for a particular bank pair, partial writes to that bank pair will use the byte enables to write only the selected bytes (using normal write cycles and cycle timing). If error correction (ECC) is selected, the first read of a transaction will always have one additional cycle of latency.

Bit-7	Bits 3-0	RMW	Error Checking	Error Correction
0/1	0	No	No	No
0	1	Yes	Yes	No
1	1	Yes	Yes	Yes

Device 0 Offset 6F - ECC Status (00h).....RWC

- 7 Multi-bit Error Detected** write of '1' resets
- 6-4 Multi-bit Error DRAM Bank**..... default=0
Encoded value of the bank with the multi-bit error.
- 3 Single-bit Error Detected** write of '1' resets
- 2-0 Single-bit Error DRAM Bank** default=0
Encoded value of the bank with the single-bit error.

Table 9. DIMM Module Configuration

Rx6B	Rx6E	Rx6E	Rx55	DIMM	MECC	DQM	DQS#
[4]	[3-0]	[6]	[3]	Module	[7-0]	[8-0]	[8-0]
CKE	ECC	RMW	No	Configuration	Pins	Pins	Pins
Ena	Ena	Ena	DQM				
1	1	1	1	DDR Only x4 with ECC	MECC[7-0]	CKE[7-0]	DQS[8-0]#
1	1	0	1	DDR Only x8 with ECC	MECC[7-0]	CKE[7-0]	DQS[8-0]#
1	0	0	0	DDR Only x8 no ECC	CKE[7-0]	DQM[7-0]	DQS[7-0]#
0	0	0	0	184-Pin DDR/SDR Mix	CKE[7-0]	DQM[8-0]	DQS[8-0]#
1	1	x	0	168-Pin SDR Only	MECC[7-0]	DQM[8-0]	CKE[7-0]
1	0	0	1	2 DDR + 2 SDR (SDR Installed)	CKE[7-0]	-	DQS[7-0]#
1	0	0	0	2 DDR + 2 SDR (DDR Installed)	CKE[7-0]	DQM[7-0]	DQS[7-0]#

PCI Bus Control

These registers are normally programmed once at system initialization time.

Device 0 Offset 70 - PCI Buffer Control (00h)..... RW

- 7 CPU to PCI Post-Write**
 - 0 Disabledefault
 - 1 Enable
- 6 Reserved** always reads 0
- 5-4 PCI Master to DRAM Prefetch**
 - 00 Always prefetchdefault
 - x1 Never prefetch
 - 10 Prefetch only for Enhance command
- 3-2 Reserved** always reads 0
- 1 Delay Transaction**
 - 0 Disabledefault
 - 1 Enable
- 0 Reserved** always reads 0

Device 0 Offset 71 - CPU to PCI Flow Control (48h).. RWC

- 7 Retry Status..... RWC**
 - 0 No retry occurreddefault
 - 1 Retry occurred
- 6 Retry Timeout Action**
 - 0 Retry forever (record status only)
 - 1 Flush buffer or return FFFFFFFFh for reads
.....default
- 5-4 Retry Count and Retry Backoff**
 - 00 Retry 2 times, backoff CPUdefault
 - 01 Retry 16 times
 - 10 Retry 4 times
 - 11 Retry 64 times
- 3 PCI Burst**
 - 0 Disable
 - 1 Enabledefault
- 2 Reserved** always reads 0
- 1 Compatible Type#1 Configuration Cycles**
 - 0 Disable (fixed AD31).....default
 - 1 Enable
- 0 IDSEL Control**
 - 0 AD11, AD12default
 - 1 AD30, AD31

Device 0 Offset 73 - PCI Master Control (00h)..... RW

- 7 Reserved**always reads 0
- 6 PCI Master 1-Wait-State Write**
 - 0 Zero wait state TRDY# response..... default
 - 1 One wait state TRDY# response
- 5 PCI Master 1-Wait-State Read**
 - 0 Zero wait state TRDY# response..... default
 - 1 One wait state TRDY# response
- 4 WSC#**
 - 0 Disable..... default
 - 1 Enable
- 3-1 Reserved**always reads 0
- 0 PCI Master Broken Timer Enable**
 - 0 Disable..... default
 - 1 Enable. Force into arbitration when there is no FRAME# 16 PCICLK's after the grant.

Device 0 Offset 75 - PCI Arbitration 1 (00h).....RW

- 7 Arbitration Mode**
 - 0 REQ-based (arbitrate at end of REQ#) ..default
 - 1 Frame-based (arbitrate at FRAME# assertion)
- 6-4 Latency Timer** read only, reads Rx0D bits 2:0
- 3 Reserved** always reads 0
- 2-0 PCI Master Bus Time-Out**
(force into arbitration after a period of time)
 - 000 Disabledefault
 - 001 1x16 PCICLKs
 - 010 2x16 PCICLKs
 - 011 3x16 PCICLKs
 - 100 4x16 PCICLKs
 -
 - 111 7x16 PCICLKs

Device 0 Offset 76 - PCI Arbitration 2 (00h)..... RW

- 7 I/O Port 22 Access**
 - 0 CPU access to I/O address 22h is passed on to the PCI bus default
 - 1 CPU access to I/O address 22h is processed internally
- 6 Reserved**always reads 0
- 5-4 Master Priority Rotation Control**
 - 00 Disable..... default
 - 01 Grant to CPU after every PCI master grant
 - 10 Grant to CPU after every 2 PCI master grants
 - 11 Grant to CPU after every 3 PCI master grants

Setting 01: the CPU will always be granted access after the current bus master completes, no matter how many PCI masters are requesting.

Setting 10: if other PCI masters are requesting during the current PCI master grant, the highest priority master will get the bus after the current master completes, but the CPU will be guaranteed to get the bus after that master completes.

Setting 11: if other PCI masters are requesting, the highest priority will get the bus next, then the next highest priority will get the bus, then the CPU will get the bus.

In other words, with the above settings, even if multiple PCI masters are continuously requesting the bus, the CPU is guaranteed to get access after every master grant (01), after every other master grant (10) or after every third master grant (11).
- 3-2 Select REQn# to REQ4# mapping**
 - 00 REQ4#..... default
 - 01 REQ0#
 - 10 REQ1#
 - 11 REQ2#
- 1 Reserved**always reads 0
- 0 REQ4# is High Priority Master**
 - 0 Disable..... default
 - 1 Enable

VIA and S3 Grant License
Confidential
NDA Required

GART / Graphics Aperture Control

The function of the Graphics Address Relocation Table (GART) is to translate virtual 32-bit addresses issued by an AGP device into 4K-page based physical addresses for system memory access. In this translation, the upper 20 bits (A31-A12) are remapped, while the lower 12 address bits (A11-A0) are used unchanged.

A one-level fully associative lookup scheme is used to implement the address translation. In this scheme, the upper 20 bits of the virtual address are used to point to an entry in a page table located in system memory. Each page table entry contains the upper 20 bits of a physical address (a "physical page" address). For simplicity, each page table entry is 4 bytes. The total size of the page table depends on the GART range (called the "aperture size") which is programmable in the P4M266.

This scheme is shown in the figure below.

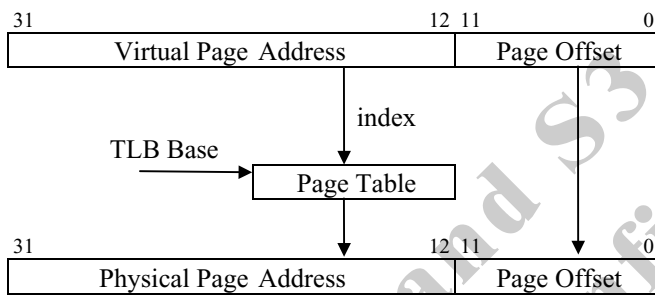


Figure 4. Graphics Aperture Address Translation

Since address translation using the above scheme requires an access to system memory, an on-chip cache (called a "Translation Lookaside Buffer" or TLB) is utilized to enhance performance. The TLB in the P4M266 contains 16 entries. Address "misses" in the TLB require an access of system memory to retrieve translation data. Entries in the TLB are replaced using an LRU (Least Recently Used) algorithm.

Addresses are translated only for accesses within the "Graphics Aperture" (GA). The Graphics Aperture can be any power of two in size from 1MB to 256MB (i.e., 1MB, 2MB, 4MB, 8MB, etc). The base of the Graphics Aperture can be anywhere in the system virtual address space on an address boundary determined by the aperture size (e.g., if the aperture size is 4MB, the base must be on a 4MB address boundary). The Graphics Aperture Base is defined in register offset 10 of device 0. The Graphics Aperture Size and TLB Table Base are defined in the following register group (offsets 84 and 88 respectively) along with various control bits.

Device 0 Offset 83-80 - GART/TLB Control (00000000h) RW

- 31-16 **Reserved**always reads 0
- 15-8 **Reserved (test mode status)**RO
- 7 **Flush Page TLB**
 - 0 Disable..... default
 - 1 Enable
- 6-0 **Reserved**always reads 0

Note: For any master access to the Graphics Aperture range, snoop will not be performed.

Device 0 Offset 84 - Graphics Aperture Size (00h)..... RW

- 7-0 **Graphics Aperture Size**
 - 11111111 1M 1111000 16M
 - 11111110 2M 1110000 32M
 - 11111100 4M 11000000 64M
 - 11111000 8M 10000000 128M
 - 00000000 256M

Offset 85 – Write Policy (00h) RW

- 7 **Reserved**always reads 0
- 6-4 **Write Request Limit** default = 0
- 3 **Reserved**always reads 0
- 2-0 **Write Request Base** default = 0

Offset 8B-88 - GA Translation Table Base (00000000h) RW

- 31-12 **Graphics Aperture Translation Table Base.**
Pointer to the base of the translation table in system memory used to map addresses in the aperture range (the pointer to the base of the "Directory" table).
- 11-2 **Reserved**always reads 0
- 1 **Graphics Aperture Enable**
 - 0 Disable..... default
 - 1 Enable

Note: To disable the Graphics Aperture, set this bit to 0 and set all bits of the Graphics Aperture Size to 0. To enable the Graphics Aperture, set this bit to 1 and program the Graphics Aperture Size to the desired aperture size.

- 0 **DRAM Power Reduction**
 - 0 Disable..... default
 - 1 Enable (use only with 1 bank DRAM module)

AGP Control

Device 0 Offset A3-A0 - AGP Capability Identifier (0020C002h)RO

- 31-24 **Reserved** always reads 00
- 23-20 **Major Specification Revision** always reads 0010
Major rev # of AGP spec to which device conforms
- 19-16 **Minor Specification Revision** always reads 0000
Minor rev # of AGP spec to which device conforms
- 15-8 **Pointer to Next Item** always reads C0h (last item)
- 7-0 **AGP ID** .. (always reads 02 to indicate it is AGP)

Device 0 Offset A7-A4 - AGP Status (1F000207h)RO

- 31-24 **Maximum AGP Requests**..... always reads 1F
Max # of AGP requests the device can manage (32)
- 23-10 **Reserved** always reads 0
- 9 **Supports SideBand Addressing**..... always reads 1
- 8-6 **Reserved** always reads 0
- 5 **4G Supported** (can be written at RxAE[5])
- 4 **Fast Write Supported** (can be written at RxAE[4])
- 3 **Reserved** always reads 0
- 2 **4X Rate Supported** always reads 1
- 1 **2X Rate Supported** always reads 1
- 0 **1X Rate Supported** always reads 1

Device 0 Offset AB-A8 - AGP Command (00000000h)..RW

- 31-24 **Request Depth** (reserved for target) ..always reads 0s
- 23-10 **Reserved**always reads 0s
- 9 **SideBand Addressing Enable**
0 Disabledefault
1 Enable
- 8 **AGP Enable**
0 Disabledefault
1 Enable
- 7-6 **Reserved**always reads 0s
- 5 **4G Enable**
0 Disabledefault
1 Enable
- 4 **Fast Write Enable**
0 Disabledefault
1 Enable
- 3 **Reserved**always reads 0s
- 2 **4X Mode Enable**
0 Disabledefault
1 Enable
- 1 **2X Mode Enable**
0 Disabledefault
1 Enable
- 0 **1X Mode Enable**
0 Disabledefault
1 Enable

Device 0 Offset AC - AGP Control (00h)..... RW

- 7 **AGP Disable**.....RO
0 Disable..... default
1 Enable
This bit is latched from MA9 at the rising edge of RESET#.
- 6 **AGP Read Synchronization**
0 Disable..... default
1 Enable
- 5 **AGP Read Snoop DRAM Post-Write Buffer**
0 Disable..... default
1 Enable
- 4 **GREQ# Priority Becomes Higher When Arbiter is Parked at AGP Master**
0 Disable..... default
1 Enable
- 3 **2X Rate Supported**
0 Disable..... default
1 Enable
- 2 **Fence / Flush**
0 Disable – low priority requests may be executed out of order. default
1 Enable – all normal priority AGP operations will be executed in order
- 1 **AGP Grant Parking Policy**
0 Non-Parking Grant – if GFRM# or GPIPE# is asserted, GGNT# is deasserted..... default
1 Parking Grant – if GFRM# or GPIPE# is asserted, GGNT# is not de-asserted until GREQ# is deasserted or timeout
- 0 **AGP to PCI Master or CPU to PCI Turnaround Cycle**
0 2T or 3T Timing..... default
1 1T Timing

AGP Control (continued)

Device 0 Offset AD – AGP Miscellaneous Control (02h)RW

- 7 **AGP Performance Improvement**
 - 0 Disabledefault
 - 1 Enable
- 6 **Pipe Mode Performance Improvement**
 - 0 Disabledefault
 - 1 Enable
- 5 **Input on AGP GD / GBE Pads**
 - 0 Disabledefault
 - 1 Enable
- 4 **AGP Performance Improvement**
 - 0 Disabledefault
 - 1 Enable
- 3-0 **AGP Data Phase Latency Timer** default = 02h

Device 0 Offset AE – AGP Miscellaneous Control (00h)RW

- 7-6 **Reserved** always reads 0
- 5 **4G Supported**
 - 0 4G not supporteddefault
 - 1 4G supported
- 4 **Fast Write Supported**
 - 0 Fast Write not supporteddefault
 - 1 Fast Write supported
- 3 **Reserved** always reads 0
- 2 **4X Rate Supported**
 - 0 Disabledefault
 - 1 Enable
- 1-0 **Reserved** always reads 0

Device 0 Offset B0 – AGP Pad Control / Status (8xh) ...RW

- 7 **AGP 4x Strobe VREF Control**
This bit is valid only when RxA8[2] = 1 (4x transfer mode enabled), otherwise, STB VREF is AGPVREF.
 - 0 STB VREF is STB# and vice versa
 - 1 STB VREF is AGPVREFdefault
 The reference voltage is also determined by setting of RxB2[1] (AGP Bus Voltage):

AGP Voltage	This Bit	Strobe Reference Voltage
3.3V	don't care	AGPVREF = 0.4 x 3.3V
1.5V	1	AGPVREF = 0.5 x 1.5V
1.5V	0	STB / STB#
- 6 **AGP 4x Strobe & GD Pad Drive Strength**
 - 0 Drive strength set to compensation circuit defaultdefault
 - 1 Drive strength controlled by RxB1[7-0]
- 5-3 **AGP Compensation Circuit N Control Output .RO**
- 2-0 **AGP Compensation Circuit P Control Output .RO**

Device 0 Offset B1 – AGP Drive Strength (63h)..... RW

- 7-4 **AGP Output Buffer Drive Strength N Ctrl....def=6**
- 3-0 **AGP Output Buffer Drive Strength P Ctrldef=3**

Device 0 Offset B2 – AGP Pad Drive & Delay Ctrl (08h)RW

- 7 **GD/GDS/GDS#/GBE Pad Control..... default = 0**

	SA / SBS	GD / GBE / GDS
0 VDDQ=1.5V:	Normal	Normal
VDDQ=3.3V:	Delayed	Normal
1 VDDQ=1.5V:	Normal	Delayed
VDDQ=3.3V	Delayed	Delayed
- 6 **External AGP Pad Power Down**
 - 0 Disable..... default
 - 1 Enable
- 5 **GDS/GDS# Skew Relative to GD/GBE#**
(see bit-2)
- 4 **GD[31:16] Output Stagger Delay**
 - 0 No delay default
 - 1 Delay GD[31:16] by 1 ns
- 3 **GD/GBE#, GDS, GDS# Slew Rate Control**
 - 0 Disable
 - 1 Enable..... default
- 2 **GDS/GDS# Skew Relative to GD/GBE#**
(part of a 2-bit field; this bit is lsb & bit-5 is msb)
 - 00 GDS/GDS# early by 150 pS default
 - 01 GDS/GDS# center of GD
 - 10 GDS/GDS# lags 150 pS from center of GD
 - 10 GDS/GDS# lags 300 pS from center of GD
- 1 **AGP Bus Voltage**
 - 0 1.5V default
 - 1 3.3V
- 0 **GDS Output Delay**
 - 0 No delay default
 - 1 Delay GDS by 400 ps
(GDS & GDS# will be delayed 1 ns more if bit-4 = 1)

Device 0 Offset B3 – AGP Strobe Drive Strength (63h) RW

- 7-4 **AGP Strobe Output Drive Strength N Ctrl ...def=6**
- 3-0 **AGP Strobe Output Drive Strength P Ctrl....def=3**

V-Link Control

Device 0 Offset B4 – V-Link NB Compensation Ctrl (00h)RW

- 7-6 **V-Link Autocomp Output Value**..... always reads 0
- 5 **Pullup Compensation Selection**
 - 0 Auto Comp (use values in bits 7-6).....default
 - 1 Manual Comp (use values in bits 3-2)
- 4 **Pulldown Compensation Selection**
 - 0 Auto Comp (use values in bits 7-6).....default
 - 1 Manual Comp (use values in bits 1-0)
- 3-2 **Pullup Compensation Manual Setting** def = 0
- 1-0 **Pulldown Compensation Manual Setting** def = 0

Device 0 Offset B5 – V-Link NB Drive Control (00h).... RW

- 7-6 **NB V-Link Strobe Pullup Manual Setting**
- 5-4 **NB V-Link Strobe Pulldown Manual Setting**
- 3-1 **Reserved** always reads 0
- 0 **NB V-Link Slew Rate Control**
 - 0 Disabledefault
 - 1 Enable

Device 0 Offset B8 – V-Link SB Compensation Ctrl (00h)RW

- 7-6 **V-Link Autocomp Output Value**always reads 0
- 5 **Pullup Compensation Selection**
 - 0 Auto Comp (use values in bits 7-6)..... default
 - 1 Manual Comp (use values in bits 3-2)
- 4 **Pulldown Compensation Selection**
 - 0 Auto Comp (use values in bits 7-6)..... default
 - 1 Manual Comp (use values in bits 1-0)
- 3-2 **Pullup Compensation Manual Setting**..... def = 0
- 1-0 **Pulldown Compensation Manual Setting**..... def = 0

Device 0 Offset B9 – V-Link SB Drive Control (00h).... RW

- 7-6 **SB V-Link Strobe Pullup Manual Setting**
- 5-4 **SB V-Link Strobe Pulldown Manual Setting**
- 3-1 **Reserved**always reads 0
- 0 **SB V-Link Slew Rate Control**
 - 0 Disable..... default
 - 1 Enable

VIA and S3 Graphics
 Confidential
 NDA Required

DRAM Interface Control

Device 0 Offset BE – MECC Drive Strength (00h) RW

- 7-6 MECC Drive Strength default = 0
- 5-0 Reserved always reads 0

Device 0 Offset BF – DRAM Pad Toggle Reduction (00h)RW

- 7 MA / SCMD Pin Toggle Reduction
 - 0 Disabledefault
 - 1 Enable (MA and S command pins won't toggle if not accessed)
- 6 Slew Rate Control for MA / SCMD Group A
 - 0 Disabledefault
 - 1 Enable
- 5 Slew Rate Control for MA / SCMD Group B
 - 0 Disabledefault
 - 1 Enable
- 4 Reserved always reads 0
- 3 DIMM #3 MAA / MAB Select
 - 0 MAAdefault
 - 1 MAB
- 2 DIMM #2 MAA / MAB Select
 - 0 MAAdefault
 - 1 MAB
- 1 DIMM #1 MAA / MAB Select
 - 0 MAAdefault
 - 1 MAB
- 0 DIMM #0 MAA / MAB Select
 - 0 MAAdefault
 - 1 MAB

Power Management

Device 0 Offset C0 – Power Management Capability IDRO

- 7-0 Capability IDalways reads 01h

Device 0 Offset C1 – Power Management New Pointer . RO

- 7-0 Next Pointer

Device 0 Offset C2 – Power Mgmt Capabilities I RO

- 7-0 Power Management Capabilities ..always reads 02h

Device 0 Offset C3 – Power Mgmt Capabilities II..... RO

- 7-0 Power Management Capabilities ..always reads 00h

Device 0 Offset C4 – Power Mgmt Control / Status RW

- 7-2 Reservedalways reads 0
- 1-0 Power State
 - 00 D0 default
 - 01 -reserved-
 - 10 -reserved-
 - 11 D3 Hot

Device 0 Offset C5 – Power Management Status..... RO

- 7-0 Power Management Status.....always reads 00h

Device 0 Offset C6 – PCI-to-PCI Bridge Support Ext.... RO

- 7-0 P2P Bridge Support Extensionsalways reads 00h

Device 0 Offset C7 – Power Management Data RO

- 7-0 Power Management Dataalways reads 00h

ECC Error Control

Device 0 Offset D3-D0 – ECC Error Address (xxh) RO

Device 0 Offset D4 – ECC Error Syndrome (xxh)..... RO

AGTL+ I/O Control

Device 0 Offset D8 – Host Address (2x) Pullup Drive....RW

- 7 Reserved always reads 0
- 6-4 Strobe Pullup Drive (HAS#) default = 0
- 3 Reserved always reads 0
- 2-0 Address Pullup Drive (HA,HREQ#) default = 0

Device 0 Offset D9 – Host Address (2x) Pulldown DriveRW

- 7 Reserved always reads 0
- 6-4 Strobe Pulldown Drive (HAS#) default = 0
- 3 Reserved always reads 0
- 2-0 Address Pulldown Drive (HA,HREQ#) . default = 0

Device 0 Offset DA – Host Data (4x) Pullup Drive.....RW

- 7 Reserved always reads 0
- 6-4 Strobe Pullup Drive (HDS,HDS#) default = 0
- 3 Reserved always reads 0
- 2-0 Address Pullup Drive (HD,HDBI#)..... default = 0

Device 0 Offset DB – Host Data (4x) Pulldown Drive....RW

- 7 Reserved always reads 0
- 6-4 Strobe Pulldown Drive (HDS,HDS#) default = 0
- 3 Reserved always reads 0
- 2-0 Address Pulldown Drive (HD,HDBI#)... default = 0

Note: Refer to the VT8751 BIOS Porting Guide for recommended settings for these bits for typical system configurations.

Device 0 Offset DC – Output Delay / Stagger Control...RW

- 7-6 **Data / Strobe Relative Delay**
 - 00 Data delay = strobe delay + 150 psec.....default
 - 01 Data delay = strobe delay
 - 10 Data delay = strobe delay – 150 psec
 - 11 Data delay = strobe delay – 300 psec
- 5 **HD[63:48, 31:16], HDBI[3,1]# Output Stagger**
 - 0 No delaydefault
 - 1 1 nsec delay
- 4 **HA[31:17] Output Stagger**
 - 0 No delaydefault
 - 1 1 nsec delay
- 3-2 **HDS / HDS# Output Extra Delay**
 - 00 No delaydefault
 - 01 150 psec delay
 - 10 300 psec delay
 - 11 450 psec delay
- 1-0 **HAS # Output Extra Delay**
 - 00 No delaydefault
 - 01 150 psec delay
 - 10 300 psec delay
 - 11 450 psec delay

Device 0 Offset DD – AGTL+ I/O Control (00h) RW

- 7 **AGTL+ 4x Input Increase Delay to Filter Noise**
 - 0 Disable..... default
 - 1 Enable
- 6 **AGTL+ 2x Input Increase Delay to Filter Noise**
 - 0 Disable..... default
 - 1 Enable
- 5 **AGTL+ Slew Rate Control**
 - 0 Disable..... default
 - 1 Enable
- 4 **Reserved** always reads 0
- 3 **Input Pullup**
 - 0 Disable..... default
 - 1 Enable
- 2 **AGTL+ Strobe Internal Termination Pullups**
 - 0 Disable..... default
 - 1 Enable
- 1 **AGTL+ Data Internal Termination Pullups**
 - 0 Disable..... default
 - 1 Enable
- 0 **AGTL+ Dynamic Compensation**
 - 0 Disable..... default
 - 1 Enable

Device 0 Offset DE – AGTL+ Comp Status (00h) RW

- 7 **Select AutoCompensation Drive**
 - 0 Disable..... default
 - 1 Enable (RxD8-DB set automatically on-chip based on auto compensation results)
- 6-4 **AGTL+ Compensation Result** default = 0
- 3 **AGTL+ POS Function**
 - 0 Inputs always powered default
 - 1 Inputs powered down when not in input mode
- 2 **DBI Double Check**
 - 0 Disable..... default
 - 1 Enable (bit-1 must also be 1)
- 1 **DBI (Dynamic Bus Inversion) Function**
 - 0 Enable..... default
 - 1 Disable (DBI always high)
- 0 **Reserved** always reads 0

Device 0 Offset DF – AGTL+ Auto Comp Offset (00h). RW

- 7-4 **AGTL+ Drive Offset to Comp Result for 2x Pad** default = 0
- 3-0 **AGTL+ Drive Offset to Comp Result for 4x Pad** default = 0

Frame Buffer and High Memory Control

Device 0 Offset E0 – CPU Direct Access FB Base (00h) RW

- 7-1 CPU Direct Access FB Base Address[27:21] . def=0
- 0 CPU Direct Access Frame Buffer
 - 0 Disabledefault
 - 1 Enable

Device 0 Offset E1 – CPU Direct Access FB Size (00h)..RW

- 7 Internal VGA
 - 0 Disabledefault
 - 1 Enable
- 6-4 Frame Buffer Size
 - 000 Nonedefault
 - 001 Reserved
 - 010 Reserved
 - 011 8MB
 - 100 16MB
 - 101 32MB
 - 11x -reserved-
- 3-0 CPU Direct Access FB Base Address[31:28] . def=0

Device 0 Offset E2 – VGA Arbitration Timer 1 (00h)...RW

- 7-4 Timer to Promote High Priority Display def = 0
- 3-0 Timer for Promoted High Priority Display . def = 0

The fields above are defined in units of 16 MCLKs.
See note under VGA Timer 2 description).

Device 0 Offset E3 – SMA Control (00h)RW

- 7-5 Reserved always reads 0
- 4 Frame Buffer Address Conversion
 - 0 Disabledefault
 - 1 Enable

Setting this bit further optimizes the MA table for VGA frame buffer accesses according to the DRAM page size in use. Setting this bit should improve VGA performance especially in tiling address mode. This but cannot be used at the same time as CPU Direct Access FB mode. If used, this bit must be set before enabling the internal VGA to prevent display corruption.

- 3 Frame Buffer Page Close Prediction in Tiling Address Mode
 - 0 Disabledefault
 - 1 Enable

This feature automatically closes the FB DRAM pages that are no longer needed in tiling address mode. This bit can be set / cleared any time. This feature will show maximum performance increase if frame buffer address conversion is also enabled.

- 2-0 Frame Buffer Bank

Device 0 Offset E4 – Low Top Address Low (00h)..... RW

- 7-4 Low Top Address Low default = 0
- 3-0 DRAM Granularity
 - 0 16M Total DRAM less than 4G default
 - 1 32M Total DRAM less than 8G
 - 2 64M Total DRAM less than 16G
 - 3 128M Total DRAM less than 32G
 - 4 256M Total DRAM less than 64G
 - 5-7 -reserved-

Device 0 Offset E5 – Low Top Address High (FFh) RW

- 7-0 Low Top Address Highdefault = FFh

Device 0 Offset E6 – SMM / APIC Decoding (01h) RW

- 7-6 Reserved always reads 0
- 5 Reserved (Do Not Program) default = 0
- 4 I/O APIC Decoding
 - 0 FECxxxxx accesses go to PCI default
 - 1 FEC00000 to FEC7FFFF accesses go to PCI
FEC80000 to FECFFFFFF accesses go to AGP

3 MSI (Processor Message) Support

- 0 Disable (master access to FEExxxxx will go to PCI) default
- 1 Enable (master access to FEExxxxx will be passed to host side to do snoop)

2 Top SMM

- 0 Disable default
- 1 Enable

1 High SMM

- 0 Disable default
- 1 Enable

0 Compatible SMM

- 0 Disable
- 1 Enable default

Device 0 Offset E8 – VGA Arbitration Timer 2 (00h)... RW

- 7-4 Timer to Promote Low Priority Display def = 0
- 3-0 Timer for Promoted Low Priority Display ..def = 0

The fields above are defined in units of 16 MCLKs.

VGA timers 1 and 2 are access arbitration timers between the display engine and the graphics engine. Normally the display engine has lower priority than the graphics engine unless the display buffer is below the threshold level where display requests become high priority. The VGA Timers provide the ability to override this default behavior. These bits should be set prior to turning on the VGA.

BIOS Scratch

Device 0 Offset F3-F4 – BIOS Scratch Registers..... RW

- 7-0 No hardware function default = 0

Device 1 Register Descriptions

Device 1 PCI-to-PCI Bridge Header Registers

All registers are located in PCI configuration space. They should be programmed using PCI configuration mechanism 1 through CF8 / CFC with bus number of 0 and function number equal to 0 and device number equal to one.

Device 1 Offset 1-0 - Vendor ID (1106h).....RO

15-0 ID Code (reads 1106h to identify VIA Technologies)

Device 1 Offset 3-2 - Device ID (B091h).....RO

15-0 ID Code (reads B091h to identify the P4M266 PCI-to-PCI Bridge device)

Device 1 Offset 5-4 – Command (0007h).....RW

- 15-10 Reserved always reads 0
- 9 Fast Back-to-Back Cycle Enable RO
 - 0 Fast back-to-back transactions only allowed to the same agent.....default
 - 1 Fast back-to-back transactions allowed to different agents
- 8 SERR# Enable..... RO
 - 0 SERR# driver disabled.....default
 - 1 SERR# driver enabled
(SERR# is used to report ECC errors).
- 7 Address / Data Stepping..... RO
 - 0 Device never does stepping.....default
 - 1 Device always does stepping
- 6 Parity Error Response.....RW
 - 0 Ignore parity errors & continue.....default
 - 1 Take normal action on detected parity errors
- 5 Reserved always reads 0
- 4 Memory Write and Invalidate Command RO
 - 0 Bus masters must use Mem Write.....default
 - 1 Bus masters may generate Mem Write & Inval
- 3 Special Cycle Monitoring..... RO
 - 0 Does not monitor special cycles.....default
 - 1 Monitors special cycles
- 2 Bus Master RW
 - 0 Never behaves as a bus master
 - 1 Enable to operate as a bus master on the primary interface on behalf of a master on the secondary interfacedefault
- 1 Memory Space..... RW
 - 0 Does not respond to memory space
 - 1 Enable memory space accessdefault
- 0 I/O Space RW
 - 0 Does not respond to I/O space
 - 1 Enable I/O space accessdefault

Device 1 Offset 7-6 - Status (Primary Bus) (0230h).....RWC

- 15 Detected Parity Erroralways reads 0
- 14 Signaled System Error (SERR#).....always reads 0
- 13 Signaled Master Abort
 - 0 No abort received default
 - 1 Transaction aborted by the master with Master-Abort (except Special Cycles)..... write 1 to clear
- 12 Received Target Abort
 - 0 No abort received default
 - 1 Transaction aborted by the target with Target-Abort write 1 to clear
- 11 Signaled Target Abortalways reads 0
- 10-9 DEVSEL# Timing
 - 00 Fast
 - 01 Mediumalways reads 01
 - 10 Slow
 - 11 Reserved
- 8 Data Parity Error Detectedalways reads 0
- 7 Fast Back-to-Back Capablealways reads 0
- 6 User Definable Featuresalways reads 0
- 5 66MHz Capable.....always reads 1
- 4 Supports New Capability list.....always reads 1
- 3-0 Reservedalways reads 0

Device 1 Offset 8 - Revision ID (00h)..... RO

7-0 P4M266 Chip Revision Code (00=First Silicon)

Device 1 Offset 9 - Programming Interface (00h)..... RO

This register is defined in different ways for each Base/Sub-Class Code value and is undefined for this type of device.

7-0 Interface Identifieralways reads 00

Device 1 Offset A - Sub Class Code (04h)..... RO

7-0 Sub Class Code .reads 04 to indicate PCI-PCI Bridge

Device 1 Offset B - Base Class Code (06h)..... RO

7-0 Base Class Code.. reads 06 to indicate Bridge Device

Device 1 Offset D - Latency Timer (00h)..... RO

7-0 Reservedalways reads 0

Device 1 Offset E - Header Type (01h)..... RO

7-0 Header Type Code..... reads 01: PCI-PCI Bridge

Device 1 Offset F - Built In Self Test (BIST) (00h)..... RO

- 7 BIST Supported..... reads 0: no supported functions
- 6 Start Test write 1 to start but writes ignored
- 5-4 Reservedalways reads 0
- 3-0 Response Code.....0 = test completed successfully

Device 1 Offset 18 - Primary Bus Number (00h).....RW

7-0 Primary Bus Number default = 0
This register is read write, but internally the chip always uses bus 0 as the primary.

Device 1 Offset 19 - Secondary Bus Number (00h)RW

7-0 Secondary Bus Number default = 0
Note: AGP must use these bits to convert Type 1 to Type 0.

Device 1 Offset 1A - Subordinate Bus Number (00h)RW

7-0 Primary Bus Number default = 0
Note: AGP must use these bits to decide if Type 1 to Type 1 command passing is allowed.

Device 1 Offset 1B – Secondary Latency Timer (00h)RO

7-0 Reserved always reads 0

Device 1 Offset 1C - I/O Base (f0h).....RW

7-4 I/O Base AD[15:12] default = 1111b
3-0 I/O Addressing Capability default = 0

Device 1 Offset 1D - I/O Limit (00h).....RW

7-4 I/O Limit AD[15:12] default = 0
3-0 I/O Addressing Capability default = 0

Device 1 Offset 1F-1E - Secondary Status.....RO

15-0 Secondary Status
Rx44[4] = 0: these bits read back 0000h
Rx44[4] = 1: these bits read back same as Rx7-6

Device 1 Offset 21-20 - Memory Base (fff0h).....RW

15-4 Memory Base AD[31:20] default = FFFh
3-0 Reserved always reads 0

Device 1 Offset 23-22 - Memory Limit (Inclusive) (0000h) RW

15-4 Memory Limit AD[31:20] default = 0
3-0 Reserved always reads 0

Device 1 Offset 25-24 - Prefetchable Memory Base (fff0h) RW

15-4 Prefetchable Memory Base AD[31:20] default = FFFh
3-0 Reserved always reads 0

Device 1 Offset 27-26 - Prefetchable Memory Limit (0000h)RW

15-4 Prefetchable Memory Limit AD[31:20]. default = 0
3-0 Reserved always reads 0

Device 1 Offset 34 - Capability Pointer (80h)RO

Contains an offset from the start of configuration space.
7-0 AGP Capability List Pointer always reads 80h

Device 1 Offset 3F-3E – PCI-to-PCI Bridge Control (0000h) RW

15-4 Reservedalways reads 0

3 VGA-Present on AGP

0 Forward VGA accesses to PCI Bus default
1 Forward VGA accesses to AGP Bus

Note: VGA addresses are memory A0000-BFFFFh and I/O addresses 3B0-3BBh, 3C0-3CFh and 3D0-3DFh (10-bit decode). "Mono" text mode uses B0000-B7FFFh and "Color" Text Mode uses B8000-BFFFFh. Graphics modes use Axxxxh. Mono VGA uses I/O addresses 3Bx-3Cxh and Color VGA uses 3Cx-3Dxh. If an MDA is present, a VGA will not use the 3Bxh I/O addresses and B0000-B7FFFh memory space; if not, the VGA will use those addresses to emulate MDA modes.

2 Block / Forward ISA I/O Addresses

0 Forward all I/O accesses to the AGP bus if they are in the range defined by the I/O Base and I/O Limit registers (device 1 offset 1C-1D)

1 Do not forward I/O accesses to the AGP bus that are in the 100-3FFh address range even if they are in the range defined by the I/O Base and I/O Limit registers.

1-0 Reservedalways reads 0

Device 1 PCI-to-PCI Bridge Device-Specific Registers

AGP Bus Control

Device 1 Offset 40 - CPU-to-AGP Flow Control 1 (00h) RW

- 7 **CPU-AGP Post Write**
 - 0 Disabledefault
 - 1 Enable
- 6 **Reserved** always reads 0
- 5 **CPU-AGP One Wait State Burst Write**
 - 0 Disabledefault
 - 1 Enable
- 4-3 **Read Prefetch Control**
 - 00 Always prefetchdefault
 - x1 Never prefetch
 - 10 Prefetch only for Enhance command
- 2 **MDA Present on AGP**
 - 0 Forward MDA accesses to AGPdefault
 - 1 Forward MDA accesses to PCI

Note: Forward despite IO / Memory Base / Limit
 Note: MDA (Monochrome Display Adapter) addresses are memory addresses B0000h-B7FFFh and I/O addresses 3B4-3B5h, 3B8-3BAh, and 3BFh (10-bit decode). 3BC-3BE are reserved for printers.
 Note: If Rx3E bit-3 is 0, this bit is a don't care (MDA accesses are forwarded to the PCI bus).
- 1 **AGP Master Read Caching**
 - 0 Disabledefault
 - 1 Enable
- 0 **AGP Delay Transaction**
 - 0 Disabledefault
 - 1 Enable

Table 10. VGA/MDA Memory/IO Redirection

3E[3]	40[2]	VGA	MDA	Axxxx,	B0000	3Cx,	
VGA	MDA	is	is	B8xxx	-B7FFF	3Dx	3Bx
Pres.	Pres.	on	on	Access	Access	I/O	I/O
0	-	PCI	PCI	PCI	PCI	PCI	PCI
1	0	AGP	AGP	AGP	AGP	AGP	AGP
1	1	AGP	PCI	AGP	PCI	AGP	PCI

Device 1 Offset 41 - CPU-to-AGP Flow Control 2 (08h) RW

- 7 **Retry Status**
 - 0 No retry occurred..... default
 - 1 Retry Occurred**write 1 to clear**
- 6 **Retry Timeout Action**
 - 0 No action taken except to record status def
 - 1 Flush buffer for write or return all 1s for read
- 5-4 **Retry Count**
 - 00 Retry 2, backoff CPU default
 - 01 Retry 4, backoff CPU
 - 10 Retry 16, backoff CPU
 - 11 Retry 64, backoff CPU
- 3 **CPU-to-AGP Bursting Timeout**
 - 0 Disable
 - 1 Enable..... **default**
- 2 **Reserved**always reads 0
- 1 **CPU-to-PCI/AGP Cycles Invalidate PCI/AGP Buffered Read Data**
 - 0 Disable..... default
 - 1 Enable
- 0 **Reserved**always reads 0

Device 1 Offset 42 - AGP Master Control (00h) RW

- 7 **Reserved**always reads 0
- 6 **AGP Master One Wait State Write**
 - 0 Disable..... default
 - 1 Enable
- 5 **AGP Master One Wait State Read**
 - 0 Disable..... default
 - 1 Enable
- 4 **Break Consecutive PCI Master Accesses**
 - 0 Disable..... default
 - 1 Enable
- 3 **Reserved**always reads 0
- 2 **Claim I/O R/W and Memory Read Cycles**
 - 0 Disable..... default
 - 1 Enable
- 1 **Claim Local APIC FEEx xxxx Cycles**
 - 0 Disable..... default
 - 1 Enable
- 0 **Snoop Write Enable 2T Rate, Support Host Side Snoop Cycles at 2T Rate**
 - 0 Disable..... default
 - 1 Enable

Device 1 Offset 43 - AGP Master Latency Timer (22h) RW

- 7-4 Host to AGP Time slot**
 - 0 Disable (no timer)
 - 1 16 GCLKs
 - 2 32 GCLKsdefault
 -
 - F 128 GCLKs
- 3-0 AGP Master Time Slot**
 - 0 Disable (no timer)
 - 1 16 GCLKs
 - 2 32 GCLKsdefault
 -
 - F 128 GCLKs

Device 1 Offset 45 – Fast Write Control (72h)..... RW

- 7 Force Fast Write Cycle to be QW Aligned**
(if Rx45[6] = 0)
 - 0 Disable..... default
 - 1 Enable
- 6 Merge Multiple CPU Transactions Into One Fast Write Burst Transaction**
 - 0 Disable
 - 1 Enable..... default
- 5 Merge Multiple CPU Write Cycles To Memory Offset 23-20 Into Fast Write Burst Cycles**
(if Rx45[6] = 0)
 - 0 Disable
 - 1 Enable..... default
- 4 Merge Multiple CPU Write Cycles To Prefetchable Memory Offset 27-24 Into Fast Write Burst Cycles** (if Rx45[6] = 0)
 - 0 Disable
 - 1 Enable..... default
- 3 Reserved**always reads 0
- 2 Fast Write Burst 4T Max (No Slave Flow Control)**
 - 0 Disable..... default
 - 1 Enable
- 1 Fast Write Fast Back to Back**
 - 0 Disable
 - 1 Enable..... default
- 0 Fast Write Initial Block 1 Wait State**
 - 0 Disable..... default
 - 1 Enable

Rx45 Bits	CPU Write Address in Mem1	CPU Write Address in Mem2	Fast Write Cycle Alignment
7-4			
x1xx	-	-	QW aligned, burstable
0000	-	-	DW aligned, nonburstable
x010	0	0	n/a
0010	0	1	DW aligned, non-burstable
x010	1	-	QW aligned, burstable
x001	0	0	n/a
x001	-	1	QW aligned, burstable
0001	1	0	DW aligned, non-burstable
x011	0	0	n/a
x011	1	-	QW aligned, burstable
x011	0	1	QW aligned, burstable
1000	-	-	QW aligned, non-burstable
1010	0	1	QW aligned, non-burstable
1001	1	0	QW aligned, non-burstable

Device 1 Offset 47-46 – PCI-to-PCI Bridge Device ID...RW

15-0 PCI-to-PCI Bridge Device ID default = 0000

Device 1 Offset 80 – Capability ID (01h).....RO

7-0 Capability ID..... always reads 01h

Device 1 Offset 81 – Next Pointer (00h).....RO

7-0 Next Pointer: Null always reads 00h

Device 1 Offset 82 – Power Mgmt Capabilities 1 (02h)...RO

7-0 Power Mgmt Capabilities..... always reads 02h

Device 1 Offset 83 – Power Mgmt Capabilities 2 (00h)...RO

7-0 Power Mgmt Capabilities..... always reads 00h

Device 1 Offset 84 – Power Mgmt Ctrl/Status (00h)..... RW

7-2 Reservedalways reads 0

1-0 Power State

00 D0 default

01 -reserved-

10 -reserved-

11 D3 Hot

Device 1 Offset 85 – Power Mgmt Status (00h)..... RO

7-0 Power Mgmt Status default = 00

Device 1 Offset 86 – P2P Br. Support Extensions (00h). RO

7-0 P2P Bridge Support Extensions default = 00

Device 1 Offset 87 – Power Management Data (00h) RO

7-0 Power Management Data default = 00

VIA and S3 Graphics
 Confidential
 NDA Required

FUNCTIONAL DESCRIPTION - INTEGRATED SAVAGE4 GRAPHICS

Configuration Strapping

Certain P4M266 graphics functions have options that must be selected and fixed at reset (before the register bits controlling these functions can be programmed by software). This is accomplished via power-on configuration strapping.

All strapping pins must be individually pulled high or low through 10 KOhm resistors. These pull-ups and pull-downs do not affect normal operation of the pins, but they do force the pins to a definite state during reset. At the rising edge of the reset signal, this state is sampled, the result is inverted and the data loaded into the CR36, CR37, CRB0 and CRF0 registers. The data is used for system configuration. The definitions of the graphics controller strapping bits at the rising edge of the reset signal are shown in Table 11. Non-graphics straps are described in the pinouts section of this document (see the VAD pin descriptions).

<u>Pin Name</u>	<u>Ball #</u>	<u>CR Bit(s) Value</u>	<u>Description</u>
FPD9	E12	(n/a) 1 0	<u>Graphics Test Mode</u> Enable Disable
FPD7 FPD6 FPD5 FPD4	A12 C12 D12 E13	CRF0[3] CRF0[2] CRF0[1] CRF0[0]	<u>OEM-Defined Panel Type</u>
FPD3	P4	CR37[3] 1 0	<u>External XDCLK Input on XIN</u> Enable (use clock from XIN) Disable (generate clock internally)
FPD2	A13	CRB0[7] 1 0	<u>PCI Base Address Mapping</u> Address Mapping 1 Address Mapping 0 (PCI10, 14) (16M assigned to PCI0; 128M assigned to PCI14)
FPD1	B13	CR36[4] 1 0	<u>IO Disable</u> Disable I/O access PCI04[0] ignored Enable I/O access via PCI04[0] = 1.
FPD0	C13	CR36[0] 1 0	<u>PCI Interrupt</u> Disable INTA# claim (00H in PCI3D) Enable INTA# claim (01H in PCI3D)

Table 11. Definition of Strapping Bits at the Rising Edge of RESET#

PCI Configuration and Integrated AGP

PCI Configuration

The P4M266 graphics Vendor ID register (Index 00H) in the PCI Configuration space is hardwired to 5333H to specify S3 Graphics Incorporated as the vendor. The Device ID register is hardwired to 8D04H.

Bits 10-9 of the Status register (Index 06H) are hardwired to 01b to specify medium DEVSEL timing. The Class Code register (Index 08H) is hardwired to 30000xxH to specify that the P4M266 is a VGA compatible device.

There are two MMIO address mappings, as determined by the state of CRB0[7]. By default, CRB0[7] = 1, which selects Mapping 0. This uses the PCI base addresses specified by PCI10 and PCI14. 16 Mbytes of address space is claimed by PCI10 and 128 Mbytes of address space is claimed by PCI14. If the MA4 pin is strapped high at reset, a 0 is latched in CRB0[7] and selects Mapping 1. This uses base addresses PCI10 (same as Mapping 0), PCI14 (redefined from Mapping 0 to claim 16 Mbytes) and adds PCI18, PCI1C, PCI20 and PCI24, each claiming 16 Mbytes. Thus, Mapping 1 allows the address space claimed to be broken up into smaller blocks, as required by some operating systems. The Base Address 0 register (Index 10H) defaults to address 7000 0000H. This is the relocatable base address for memory-mapped I/O register accessing.

PCI06[4] is hardwired to 1 to indicate a capabilities list is available. PCI34[7-0] point to the PCI power management registers starting at offset DC. The basic power states (D0-D3) are supported as explained by the PCI Bus Power Management Interface Specification, Revision 1.1.

PCI Subsystem ID

The Subsystem ID and Subsystem Vendor ID are located in a 32-bit read only register at PCI Configuration Space Index 2C. These registers reflect the content of 4 read/write CR registers as follows:

Register	CR Space	PCI Configuration Space
Subsystem Vendor ID Low Byte	CR81	Index 2CH
Subsystem Vendor ID High Byte	CR82	Index 2DH
Subsystem ID Low Byte	CR83	Index 2EH
Subsystem ID High Byte	CR84	Index 2FH

Table 12. PCI Subsystem ID and Subsystem Vendor ID Registers

These registers allow identification of particular vendors using the same graphics chip. The following design allows the subsystem identification to be handled by software (no hardwiring).

All P4M266 motherboard designs will incorporate the video BIOS into the system BIOS ROM. The system BIOS must load the subsystem ID information in the P4M266 before any ID scanning takes place. To do this, it must turn on the P4M266, enable I/O accesses in the PCI configuration space, unlock the CR registers, program the subsystem ID information in the registers described above, then turn off the P4M266.

Integrated AGP

P4M266 graphics conform with the requirements of Revision 2.0 of the AGP Interface Specification. Internal AGP P4M266 graphics are enabled by default, but the internal graphics controller may be disabled in order to enable the external AGP bus instead.

For the most part, AGP configuration is identical to PCI (V-Link) configuration. PCI04[4] is hardwired to 1 to indicate that P4M266 graphics implements a list of capabilities. PCI34[7-0] point to the location of this list, which is at offset 80H. PCI80, PCI84 and PCI88 implement the register bits required by the AGP specification. PCI88[2-0] select the data rate. PCI88[8] = 1 enables AGP bus master operations. PCI88[9] = 1 enables sideband addressing. This is indicated by PCI84[9] (1 = sideband addressing supported). The state of PCI84[9] is determined by the state of CR70[7].

VIA and S3 Graphics
Confidential
NDA Required

Display Memory

The P4M266 north bridge utilizes a Shared Memory Architecture (SMA) for Frame Buffer Memory. SMA allows system memory to be efficiently shared by the host CPU and the P4M266 north bridge graphics controller. By default, no system memory is allocated for the graphics frame buffer, but up to 32 Mbytes may be allocated depending on user preference, application requirements, and the total size of system memory.

Note: Frame buffer memory is allocated from system memory at bootup time. Changing the display settings to a resolution requiring additional frame buffer memory will require a system reboot to be performed.

Frame Buffer Size	Dev 0 RxFB[6-4] Register Setting	CR36[7-5] † Register Setting
0 Mbytes	000	000
8 Mbytes	011	011
16 Mbytes	100	100
32 Mbytes	101	101

† For driver information only (not connected to hardware)

Table 13. Supported Frame Buffer Memory Configurations

Interrupt Generation

Whatever the mode of operation (VGA or Enhanced), bit 4 of CR32 must be set to 1 to enable interrupt generation. When an enabled interrupt is generated, INTA# is pulled low unless CR36[0] = 0 (MA2 pulled high at reset), for which case no PCI interrupt line is claimed during PCI configuration.

When P4M266 graphics are being operated in VGA mode (CR66[0] = 0), only vertical retrace can generate an interrupt. This is enabled when CR11[5] = 0 and CR11[4] = 1. When an interrupt occurs, it is cleared by writing a 0 to CR11[4]. The interrupt must then be re-enabled by writing a 1 to the same bit. Note that the BIOS clears both bit 4 and bit 5 of CR11 during power-on, a mode set, or a reset. Thus, interrupt generation is disabled until bit 4 is set to 1.

In Enhanced mode (CR66[0] = 1 or 3D operation), interrupts can be generated by vertical retrace, command or bus FIFO overflow, command or bus FIFO empty, or by a BCI command. These interrupts are enabled and cleared and their status reported via MM8504. Serial port interrupts are controlled via MMFF08. If interrupts are used, they should be cleared before they are enabled.

Multiple interrupts can be enabled at the same time in Enhanced mode. The interrupt pin will remain asserted until all interrupt status bits are cleared.

Display Interfaces

TFT Flat Panel DVI Interface

Figure 5 shows the hardware connections to a transceiver conforming to the DVI 1.0 standard. This interface allows the P4M266 to drive a TFT flat panel over considerable distance and is active when CRB0[3] = 1 and CRB0[4] = 1. Panel power sequencing is controlled by the receiver components.

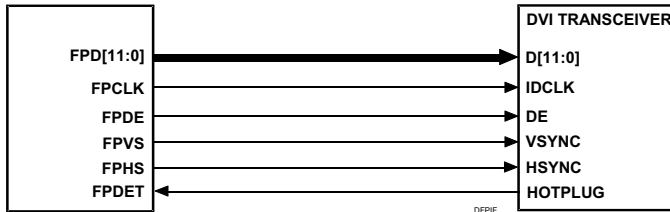


Figure 5. DVI Interface

P4M266 provides the following panel detection capability. If SR30[1] = 0 and the FPDET pin is properly connected to a voltage source indicating the presence/absence of a panel, SR30[1] will reflect the high/low state of this input. A read of 1 indicates that a powered-up panel is connected.

For proper flat panel output with a standard VGA primary screen and the Streams Processor active, the following special register settings are required:

CR3A[4] = 1

CR67[3-2] = 01b (Streams Processor secondary and VGA primary)

CR67[7-4] = desired bits/pixel mode

CR90[3] = 1 (CR0 must be programmed before this is set to 1. Setting this bit is not required for 8 bit/pixel modes)

CR90[6] = 1 (this bit must also be set to 1 for 8 bit/pixel modes)

MM8180 = 00000000h

These settings are required for correct automatic centering and expansion with Streams Processor operation.

CRT Interface

P4M266 provides the following CRT interface signals:

- RED (analog red)
- GREEN (analog green)
- BLUE (analog blue)
- HSYNC (horizontal sync)
- VSYNC (vertical sync)

In addition, DDC2 monitor communications can be implemented via the serial communications port controlled by CRB1[4:0]. These bits control two-way communications over the SPCLK2 (clock) and SPDAT2 (data) lines. The operation is the same as described for the I²C serial communications port section except that interrupts and wait states are not supported.

External TV Encoder Interface

Figure 6 shows the interface to an external TV encoder (BT868/869, VIA VT1621, or compatible device). The TV outputs are generated whenever the clock input from the decoder is present on the TVCLK pin, CRB0[3] = 1, and CRB0[4] = 0. The encoder is controlled via the I²C interface. TV monitor detection is also done via this interface. The TV encoder interface and the flat panel interface are multiplexed on common pins, so only one of the two (either the TV interface or the flat panel interface) can be enabled at any given time

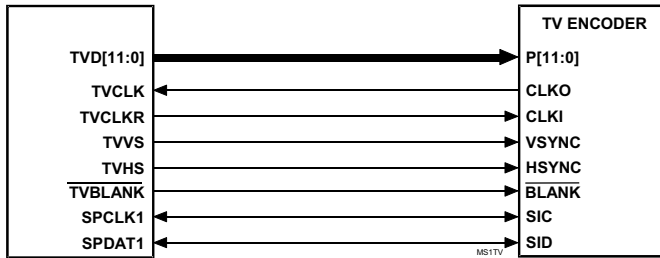


Figure 6. External TV Encoder Interface

The P4M266 chipset VT8751 north bridge chip supports three output formats as shown in Table 14. As shown in Figure 6, P[11:0] on the encoder connect to TVD[11:0] on the VT8751 chip. The CLKI pin on the encoder connects to the TVCLKR pin on the VT8751 chip.

Pin	SR35[5-4] = 00		SR35[5-4] = 01		SR35[5-4] = 10	
	CLK1 Rising	CLK1 Falling	CLK1 Rising	CLK1 Falling	CLK1 Rising	CLK1 Falling
P11	G4	R7	B7	G3	R7	G3
P10	G3	R6	B6	G2	R6	G2
P9	G2	R5	B5	G1	R5	G1
P8	B7	R4	B4	G0	R4	G0
P7	B6	R3	B3	R7	R3	B7
P6	B5	G7	B2	R6	R2	B6
P5	B4	G6	B1	R5	R1	B5
P4	B3	G5	B0	R4	R0	B4
P3	G0	R2	G7	R3	G7	B3
P2	B2	R1	G6	R2	G6	B2
P1	B1	R0	G5	R1	G5	B1
P0	B0	G1	G4	R0	G4	B0

Table 14. External TV Encoder Output Data Formats

I²C Serial Communications Port

One serial communications port is implemented in a register that can be accessed either via MMFF20 or CRA0. Bit 4 is set to 1 to enable the interface. The clock is written to bit 0 (= 0) and data to bit 1 (= 0), driving the SPCLK1 and SPDAT1 pins low respectively. The state of the SPCLK1 pin can be read via bit 2 and the state of the SPDAT1 pin can be read via bit 3. The SPCLK1 and SPDAT1 pins are tri-stated when their corresponding control bits are reset to 0, allowing other devices to drive the serial bus.

This serial port is typically used for I2C interfacing. When SPCLK1 and SPDAT1 are tri-stated, the P4M266 can detect an I2C start condition (SPDAT1 driven low while SPCLK1 is not driven low). This condition is generated by another I2C master that wants control of the I2C bus. If bit 19 of MMFF08 is set to 1, detection of a start condition generates an interrupt and sets bit 3 of MMFF08 to 1. If bit 24 of MMFF08 is set to 1, the P4M266 drives SPCLK1 low to generate I2C wait states until the Host can clear the interrupt and service the I2C bus.

ELECTRICAL SPECIFICATIONS

Absolute Maximum Ratings

Table 15. Absolute Maximum Ratings

Symbol	Parameter	Min	Max	Unit	Notes
T _C	Case operating temperature	0	85	°C	1
T _S	Storage temperature	-55	125	°C	1
V _{IN}	Input voltage	-0.5	V _{RAIL} + 10%	Volts	1, 2
V _{OUT}	Output voltage	-0.5	V _{RAIL} + 10%	Volts	1, 2

Note 1. Stress above the conditions listed may cause permanent damage to the device. Functional operation of this device should be restricted to the conditions described under operating conditions.

Note 2. V_{RAIL} is defined as the V_{CC} level of the respective rail. The CPU interface can be 3.3V or 2.5V. Memory can be 3.3V only. PCI can be 3.3V or 5.0V. Video can be 3.3V or 5.0V. Flat Panel can be 3.3V only. AGP can be 1.5V (4x transfer mode) or 3.3V (2x transfer mode).

DC Characteristics

T_C = 0-85°C, V_{RAIL} = V_{CC} +/- 5%, V_{CORE} = 2.5V +/- 5%, GND=0V

Table 16. DC Characteristics

Symbol	Parameter	Min	Max	Unit	Condition
V _{IL}	Input Low Voltage	-0.50	0.8	V	
V _{IH}	Input High Voltage	2.0	V _{CC} +0.5	V	
V _{OL}	Output Low Voltage	-	0.55	V	I _{OL} =4.0mA
V _{OH}	Output High Voltage	2.4	-	V	I _{OH} =-1.0mA
I _{IL}	Input Leakage Current	-	+/-10	uA	0<V _{IN} <V _{CC}
I _{OZ}	Tristate Leakage Current	-	+/-20	uA	0.55<V _{OUT} <V _{CC}

Package Weight Specifications

Table 17. Package Weight Specifications

Symbol	Parameter	Min	Typ	Max	Unit	Condition
W _P	Package Weight	7.99	8.00	8.02	grams	Standard earth gravity

Power Characteristics
 $T_C = 0-85^{\circ}\text{C}$, $V_{\text{RAIL}} = V_{\text{CC}} \pm 5\%$, $V_{\text{CORE}} = 2.5\text{V} \pm 5\%$, $\text{GND}=0\text{V}$
Table 18. Power Characteristics – Internal and Interface Digital Logic

Symbol	Parameter	Typ	Max	Unit	Condition
I_{TT}	Power Supply Current – VTT	46		mA	Full-On Operation
I_{TTPOS}	Power Supply Current – VTT	54.5		mA	POS
I_{TTSTR}	Power Supply Current – VTT	0.002		mA	STR
I_{TTSOF}	Power Supply Current – VTT	0.002		mA	Soft-Off
I_{CCG}	Power Supply Current – VCCAGP	1.38		mA	Full-On Operation
I_{CCGPOS}	Power Supply Current – VCCAGP	1.1		mA	POS
I_{CCGSTR}	Power Supply Current – VCCAGP	0.002		mA	STR
I_{CCGSOF}	Power Supply Current – VCCAGP	0.002		mA	Soft-Off
I_{CCV}	Power Supply Current – VCCVL			mA	Full-On Operation
I_{CCVPOS}	Power Supply Current – VCCVL			mA	POS
I_{CCVSTR}	Power Supply Current – VCCVL			mA	STR
I_{CCVSOF}	Power Supply Current – VCCVL			mA	Soft-Off
I_{CCM}	Power Supply Current – VCCMEM			mA	Full-On Operation
I_{CCMPOS}	Power Supply Current – VCCMEM			mA	POS
I_{CCMSTR}	Power Supply Current – VCCMEM			mA	STR
I_{CCMSOF}	Power Supply Current – VCCMEM			mA	Soft-Off
I_{CCF}	Power Supply Current – VCCFP			mA	Full-On Operation
I_{CCFPOS}	Power Supply Current – VCCFP			mA	POS
I_{CCFSTR}	Power Supply Current – VCCFP			mA	STR
I_{CCFSOF}	Power Supply Current – VCCFP			mA	Soft-Off
I_{CC25}	Power Supply Current – VCC25	1920		mA	Full-On Operation
I_{CC25POS}	Power Supply Current – VCC25	52.8		mA	POS
I_{CC25STR}	Power Supply Current – VCC25	0.003		mA	STR
I_{CC25SOF}	Power Supply Current – VCC25	0.003		mA	Soft-Off
I_{SUS25}	Power Supply Current – VSUS25	3.3		mA	Full-On Operation
I_{SUS25POS}	Power Supply Current – VSUS25	0.95		mA	POS
I_{SUS25STR}	Power Supply Current – VSUS25	0.016		mA	STR
I_{SUS25SOF}	Power Supply Current – VSUS25	0.016		mA	Soft-Off
I_{CCQQ}	Power Supply Current – VCCQQ			mA	Max operating frequency
I_{CCDAC}	Power Supply Current – VCCDAC			mA	Max operating frequency
P_D	Power Dissipation	4.84		W	Max operating frequency

Table 19. Power Characteristics – Analog and Reference Voltages

Symbol	Parameter	Typ	Max	Unit	Condition
I _{CCGTL}	Power Supply Current – GTLVREF			mA	Max operating frequency
I _{CCHAREF}	Power Supply Current – HAVREF			mA	Max operating frequency
I _{CCHDREF}	Power Supply Current – HDVREF			mA	Max operating frequency
I _{CCHCREF}	Power Supply Current – HCMPVREF			mA	Max operating frequency
I _{CCMREF}	Power Supply Current – MEMVREF			mA	Max operating frequency
I _{CCGREF}	Power Supply Current – AGPVREF			mA	Max operating frequency
I _{CCVREF}	Power Supply Current – VLVREF			mA	Max operating frequency
I _{CCCHK}	Power Supply Current – VCCHK			mA	Max operating frequency
I _{CCMCK}	Power Supply Current – VCCMCK			mA	Max operating frequency
I _{CCMDLL}	Power Supply Current – VCCMDLL			mA	Max operating frequency
I _{CCRGB}	Power Supply Current – VCCRGB			mA	Max operating frequency
I _{CCPLL1}	Power Supply Current – VCCPLL1			mA	Max operating frequency
I _{CCPLL2}	Power Supply Current – VCCPLL2			mA	Max operating frequency

AC Timing Specifications

AC timing specifications provided are based on external zero-pf capacitance load. Min/max cases are based on the following table:

Table 20. AC Timing Min / Max Conditions

Parameter	Min	Max	Unit
3.3V Power (I/O Pads, VCCQ for 2x transfer mode)	3.135	3.465	Volts
2.5V Power (Internal Logic)	2.375	2.625	Volts
1.5V Power (VCCQ for 4x transfer mode)	1.425	1.575	Volts
Case Temperature	0	85	°C

Drive strength for selected output pins is programmable. See Rx6D for details.

Table 21. AC Timing – CPU Interface

Signal	Reference Signal	Setup	Hold	Min Delay	Max Delay	Unit
HD Bus	HDS[3:0]#	0.55	0.55	0.85	0.80	ns
HA Bus	HAS[1:0]#	0.50	0.55	1.6	1.6	ns
HREQ[4:0]#	HAS0#	0.50	0.55	1.6	1.6	ns
ADS#	HCLK	2.4	-0.20			ns
DBSY#	HCLK	2.4	-0.20			ns
DRDY#	HCLK	2.4	-0.20			ns
HIT#	HCLK	2.4	-0.20			ns
HITM#	HCLK	2.4	-0.20			ns
HLOCK#	HCLK	2.4	-0.20			ns

Table 22. AC Timing – Memory Interface

Signal	Reference Signal	Setup	Hold	Min Delay	Max Delay	Unit
MD Bus	DQS[7:0]#	-1.2	2	1.10	1.05	ns
MA Bus	–	–	–			ns
SRAS# Bus	–	–	–			ns
SCAS# Bus	–	–	–			ns
SWE# Bus	–	–	–			ns
CS# Bus	–	–	–			ns
DQM Bus	–	–	–			ns

Table 23. AC Timing – V-Link Interface

Signal	Reference Signal	Setup	Hold	Min Delay	Max Delay	Unit
VAD Bus	Strobes	0.45	0.45	1.1	1.1	ns

Table 24. AC Timing – AGP Interface

Signal	Reference Signal	Setup	Hold	Min Delay	Max Delay	Unit
GD Bus	GDS[1:0]#			0.90	0.85	ns

MECHANICAL SPECIFICATIONS

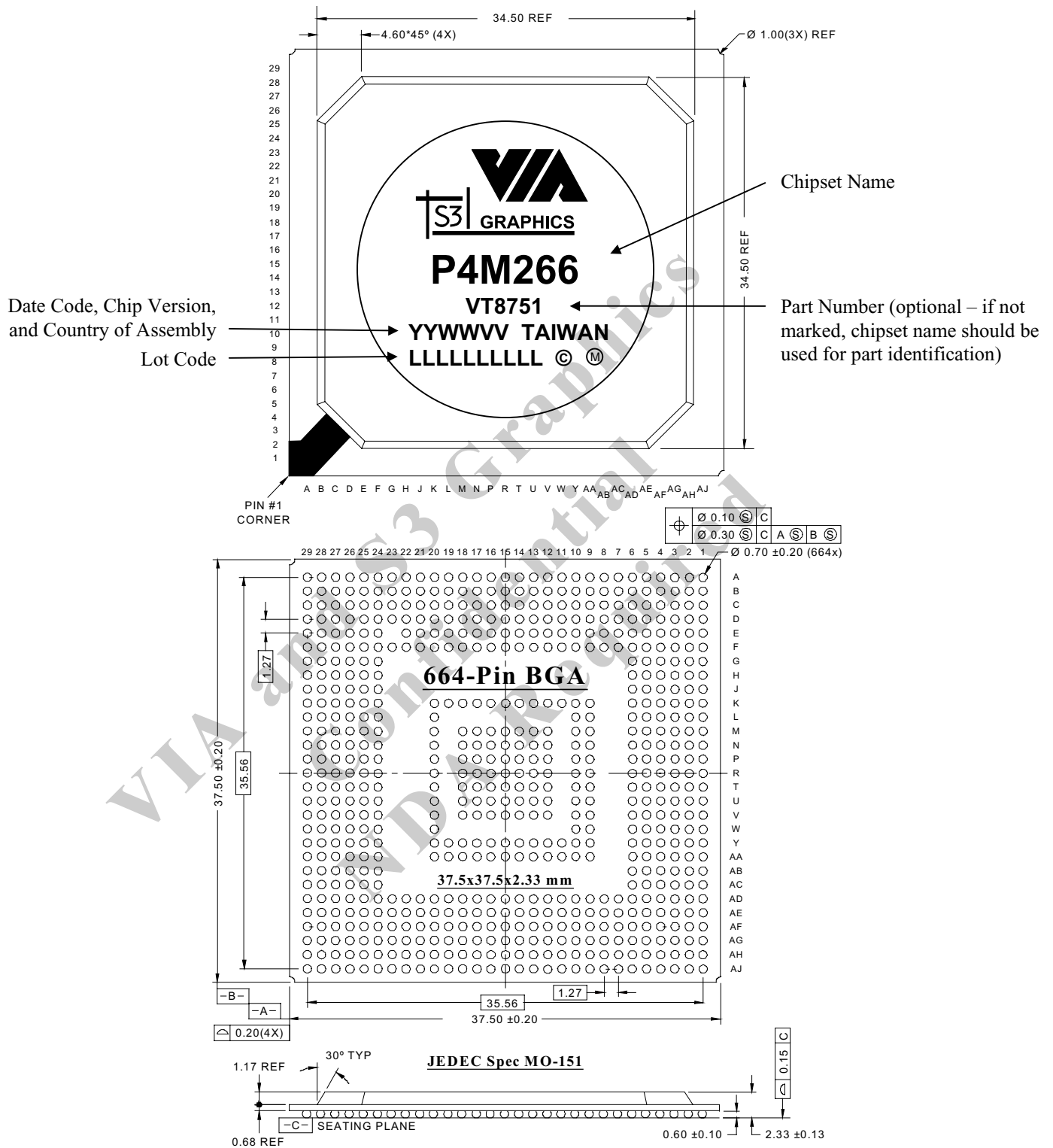


Figure 7. Mechanical Specifications - 664-Pin HSBGA Ball Grid Array Package with Heat Spreader